



AFFORDABLE
HOUSING
COLLECTION

Quality taps and showers designed for the affordable housing market.

clever
TAPS · SHOWERS · ACCESSORIES
www.clevertaps.co.uk





40+ YEARS INDUSTRY EXPERTISE

A well-established organisation, and part of the Standard Hidráulica Group, with over four decades of manufacturing experience, we have provided some of the world's most iconic heating and plumbing parts.

Bringing a wealth of experience to the table, our long-standing presence in the market signifies a deep understanding of industry trends, customer needs, and evolving technologies.

We leverage this extensive knowledge to deliver sought-after products that stand the test of time, ensuring reliability and satisfaction for merchants and their installer customers.



QUALITY PRODUCT RANGES

Above and below the sink, in front and behind the wall, we provide merchants with the products that the UK's plumbers and heating installers need to service every job.

With four main areas of expertise – comfort control, connections, brassware & taps, mixers and showers - our products can be relied on in each and every situation.

And, to meet the highest quality and eco-efficiency standards, many of our high-end products come with innovative features like Cold Open, Tech Air and Eco Aerator.



Rigorous quality control measures are embedded in every stage of our development process. With a portfolio that includes British Standard (BS), A-rated, and WRAS-approved products, everything we create is designed and manufactured using the best materials available. We also offer industry-leading guarantees on most products, so you can trust that they will stand the test of time.



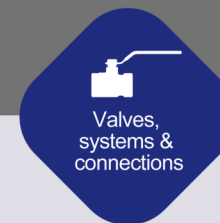
THERMOSTATIC & MANUAL RADIATOR VALVES

The valves and fittings in our highly acclaimed heating series range from TRV's to hardwearing everyday fittings which have become toolkit essentials for installers throughout the UK.



CONNECTIONS

Westco invest a great deal of time and energy developing and sourcing products that satisfy the most demanding of plumbing requirements.



BRASSWARE

Our range of durable, high performing valves includes standard products for everyday plumbing and heating maintenance alongside a series of innovative valves specifically designed for additional safety and efficiency.



TAPS, MIXERS & SHOWERS

Combining style with practicality, our market-leading products are designed, developed and manufactured using the best materials available. We also apply stringent quality control standards to ensure outstanding reliability and assurance of a long and robust working life.



CONTENTS

06 BATHROOM

10 SHOWERS

12 ACCESSORIES

14 CONVERSION KITS

15 KITCHEN

22 DATA SHEETS & TECHNICAL INFORMATION

DESIGN, APPROVALS & STANDARDS

We are dedicated to designing, developing and manufacturing products of the highest quality. Our products, where applicable, comply with the relevant British, European and International standards.



MANUFACTURING QUALITY

By using the very best materials currently available and applying the most stringent quality control standards we can consistently deliver outstanding product reliability leading to the assurance of a long working life.

CONTINUOUS IMPROVEMENT

Continual improvement is a key ingredient of the standard. Maintaining a policy of continual product development. Clever reserve the right to change specifications, design and materials of products listed in this catalogue without prior notice.

It is therefore, mandatory that all aspects of the business strive for improvement year on year to ensure that customer satisfaction is increased with a subsequent improvement in business performance.

ARAYA MODERN



*NEW IMPROVED MERCIA MODELS



Mono Basin Mixer - 922034UK
Finish - Chrome



Basin Tap Pair - 922031UK
Finish - Chrome



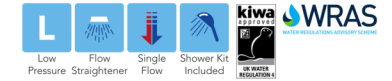
Bath Tap Pair - 922033UK
Finish - Chrome



Bath Filler - 922041UK
Finish - Chrome



Bath & Shower Mixer - 922036UK
Finish - Chrome



ARAYA QT



*NEW IMPROVED MERCIA MODELS



Mono Basin Mixer - 922065UK
Finish - Chrome



Basin Tap Pair - 922061UK
Finish - Chrome



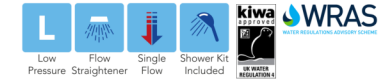
Bath Tap Pair - 922063UK
Finish - Chrome



Bath Filler - 922000UK
Finish - Chrome



Bath & Shower Mixer - 922066UK
Finish - Chrome



Mono Basin Mixer - 922064UK
Finish - Chrome



ARAYA URBAN



*NEW IMPROVED MERCIA MODELS



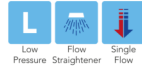
Mono Basin Mixer - 4S1205UK
Finish - Chrome



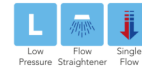
Basin Tap Pair - 4S1201UK
Finish - Chrome



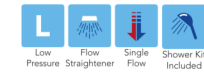
Bath Tap Pair - 4S1202UK
Finish - Chrome



Bath Filler - 4S1203UK
Finish - Chrome



Bath & Shower Mixer - 4S1204UK
Finish - Chrome



ARAYA LUJO



*NEW IMPROVED MERCIA MODELS



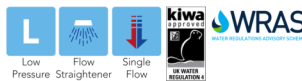
Mono Basin Mixer - 922303UK
Finish - Chrome



Slim Mono Basin Mixer - 922302UK
Finish - Chrome



Bath Filler - 922305UK
Finish - Chrome



Bath & Shower Mixer - 922306UK
Finish - Chrome

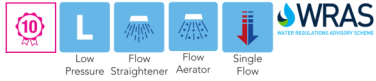


EBRO



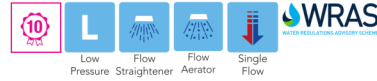
Mono Basin Mixer - UK4G4122

Finish - Chrome
Single-lever basin mixer with aerator.



Mini Mono Basin Mixer - UK4K5013

Finish - Chrome
Single-lever basin mixer with aerator.



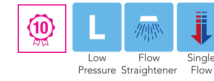
Bath Tap Pair - UK4G4121

Finish - Chrome



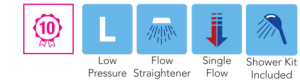
Bath Filler - UK4G4124

Finish - Chrome



Bath & Shower Mixer - UK4G4125

Finish - Chrome



NEXUS COMING SOON



PERFORMA



Non Concussive Basin Tap Pair - 349001UK

Finish - Chrome



Lever QT Basin Tap Hot - 308027UK
Lever QT Basin Tap Cold - 308037UK

Finish - Chrome



Cross Top Basin Tap Hot - 301007UK
Cross Top Basin Tap Cold - 301017UK

Finish - Chrome



Cross Top Bath Tap Hot - 302008UK
Cross Top Bath Tap Cold - 302018UK

Finish - Chrome



GO!



Mono Basin Mixer - 61832UK
Mono Basin Mixer with Click Waste - 61833UK
Finish - Chrome



Mini Mono Basin Mixer - 98620UK
Mini Mono Basin Mixer with Click Waste - 61748UK
Finish - Chrome



HAZE



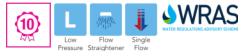
Mono Basin Mixer - 4G4003UK
Finish - Chrome



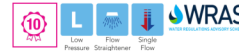
Mini Mono Basin Mixer - 922072UK
Finish - Chrome



Basin Tap Pair - 922070UK
Finish - Chrome



Bath Tap Pair - 922071UK*
Finish - Chrome



*AVAILABLE EARLY 2025



Bath Filler - 922073UK
Finish - Chrome



Bath Shower Mixer - 922074UK
Finish - Chrome



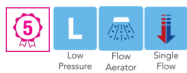
GO!2



Mono Basin Mixer - 62141UK
Finish - Black



Mini Mono Basin Mixer - 62140UK
Finish - Black



MATT BLACK COMPLETE BATHROOM RANGE COMING SOON!

COMING SOON

BASIN TAP PAIR



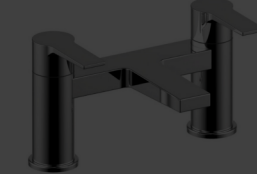
COMING SOON

BATH TAP PAIR



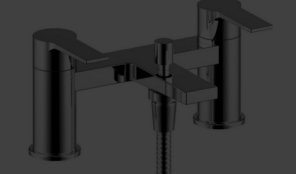
COMING SOON

BATH FILLER

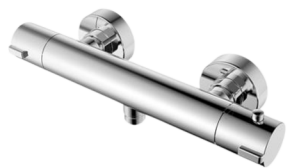


COMING SOON

BATH SHOWER MIXER



IDEAL



Thermostatic Shower Bar - 923040UK
Finish - Chrome



Thermostatic Shower Bar & Rail Kit - 923042UK
Finish - Chrome



SHATTAFS



Sahara Shattaf - 98442UK
Finish - Chrome



Thermostatic Shower Bar - 923041UK
Finish - Black



Thermostatic Shower Bar & Rail Kit - 923043UK
Finish - Black



Toubkal Shattaf - 61118UK
Finish - Black



GO!



Thermostatic Shower Bar - 62161UK
Finish - Chrome



Thermostatic Shower Bar & Rail Kit - 62160UK
Finish - Chrome



Includes



Thermostatic Full Shower System - 62168UK
Finish - Chrome



Includes



GO!2



Thermostatic Shower Bar - 62163UK
Finish - Black



Thermostatic Shower Bar & Rail Kit - 62162UK
Finish - Black



Includes



Thermostatic Full Shower System - 62169UK
Finish - Black



Includes



SLIDING BAR SETS



Style Shower Bar Set - 99627UK
Finish - Chrome



City Air Shower Bar Set - 99624UK
Finish - Chrome



Syvari Shower Set - 98886UK
Finish - Chrome



Style Shower Bar Set - 99627UK
Finish - Chrome



SHOWER HOSES



Silver Hose 1.75M - 61147UK
Finish - PVC



Flexible Hose 1.75M - 60628UK



Black Hose 1.75M - 60795UK
Finish - PVC



Black Flexible Hose 1.5M - 62232UK



HANDSETS



Up! Urban Shower Handset
61043UK
Finish - Chrome



Up! Urban Shower Handset
61045UK
Finish - Chrome



Hexagon Air Shower Handset
60307UK
Finish - Chrome



Beam Shower Handset
60304UK
Finish - Chrome



Up! Urban Shower Handset
61044UK
Finish - Black



Up! Urban Shower Handset
61874UK
Finish - Black



SHOWER HEADS



Hexagon Shower Head - 61046UK
Finish - Chrome



Hexagon Shower Head - 61047UK
Finish - Black



Hexagon Shower Head - 60306UK
Finish - Chrome



Hexagon Shower Head - 60305UK
Finish - Chrome



BOTTLE TRAPS



Bottle Trap - 90755UK
Finish - Chrome



Bottle Trap - 62049UK
Finish - Black



Bottle Trap - 96174UK
Finish - Chrome



Bottle Trap - 61122UK
Finish - Chrome



CLICK WASTES



Click Waste - 98674UK
Finish - Chrome



Click Waste - 60702UK
Finish - Black



Click Waste - 60558UK
Finish - Chrome



Click Waste - 60558UK
Finish - Chrome



CONVERSION SETS



**1/2" Acrylic BS 5412/1010
Conversion Set - UW39200**

**3/4" Acrylic BS5412/1010
Conversion Set - UW39202**



**1/2" Chrome BS 5412/1010
Conversion Set - UW39201**

**3/4" Chrome BS 5412/1010
Conversion Set - UW39203**



**1/2" Chrome Tap Reviver Kit -
UK39220**

**3/4" Chrome Tap Reviver Kit -
UK39221**

clever

TAPS • SHOWERS • ACCESSORIES

Our kitchen tap range combines style, efficiency, and reliability, giving your customers the quality they expect. Featuring Cold Open technology, these taps help reduce energy use by only activating hot water when necessary—perfect for today’s eco-conscious market.

Installation is a breeze with our Easy Fix system, saving time and labour costs for both professionals and DIYers. Plus, every tap comes with a 5 or 10 year warranty, ensuring long-lasting performance and customer satisfaction.

Most of our taps are WRAS-approved, meeting strict industry standards for water safety and compliance. This certification not only guarantees product reliability but also gives your customers peace of mind, making these taps an easy sell.

With a variety of styles to suit both modern and traditional kitchens, our range offers something for every customer. Stocking these taps means providing a high-quality, efficient solution that will keep customers coming back for more.



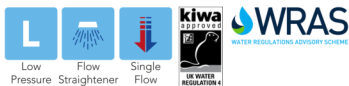
ARAYA MODERN



*NEW IMPROVED MERCIA MODELS



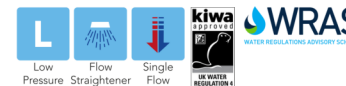
High Neck Kitchen Tap Pair - 922038UK
Finish - Chrome



Kitchen Mixer Chrome - 922039UK
Finish - Chrome



Deck Kitchen Mixer - 922040UK
Finish - Chrome



ARAYA QT



*NEW IMPROVED MERCIA MODELS



High Neck Kitchen Tap Pair - 922068UK
Finish - Chrome



Kitchen Mixer - 922069UK
Finish - Chrome



Deck Kitchen Mixer - 922075UK
Finish - Chrome



ARAYA URBAN



*NEW IMPROVED MERCIA MODELS



High Neck Kitchen Tap Pair - 4S1211UK
Finish - Chrome



Deck Kitchen Mixer - 4S1210UK
Finish - Chrome



Long Neck Kitchen Mixer - 922020UK
Finish - Chrome



PERFORMA



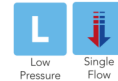
Cross Top Sink Tap Hot - 303007UK
Cross Top Sink Tap Cold - 303017UK
Finish - Chrome



Lever QT Sink Tap Hot - 310027UK
Lever QT Sink Tap Cold - 310037UK
Finish - Chrome



Cross Top Sink Tap Hot & Cold - 307008UK
Finish - Chrome



GO!



One Handle Kitchen Mixer - 61545UK
Finish - Chrome



GO!2



One Handle Kitchen Mixer - 62135UK
Finish - Chrome



One Handle Kitchen Mixer - 62145UK
Finish - Black



ROCKET



One Handle Kitchen Mixer - 62069UK
Finish - Chrome

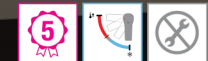


18 | Every design, an emotion.



ROCKET

One Handle Kitchen Mixer - 62084UK
Finish - Black



PICA



One Handle Kitchen Mixer - 922318UK

Finish - Chrome

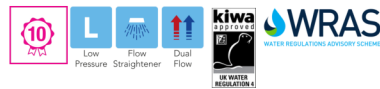


ARBON



Kitchen Mixer - 452101UK

Finish - Chrome



EBRO



Kitchen Mixer - UK4G4127

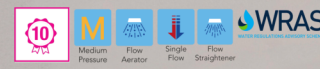
Finish - Chrome



PICA

Two Handle Kitchen Mixer - 922319UK

Finish - Chrome



EXPLORE OUR HOT WATER TAPS
FOR YOUR NEXT PROJECT!

4^{IN}1 ALPINA INSTANT HOT WATER TAP

922221UK
CHROME



922222UK
MATT BLACK
/CHROME



922223UK
MATT BLACK
/COPPER



CONVENIENCE WITH A TWIST

DESIGNED TO SAVE SPACE,
TIME AND WATER, OUR INSTANT
HOT WATER TAPS OFFER
ULTIMATE STYLE AND
FUNCTIONALITY.



Instant Hot Water

Enjoy instant hot water, ideal
for making tea, coffee, or
accelerating your cooking
process.



Filtered Cold Water

Experience clean, filtered
cold water for drinking or
cooking, straight from your
tap.



Normal Cold Water

Regular cold water for all your
kitchen needs, ensuring full
tap functionality.



Normal Hot Water

Standard hot water for
everyday kitchen tasks,
including washing dishes and
food preparation.



Cold
Touch



Child
Safety



High
Pressure



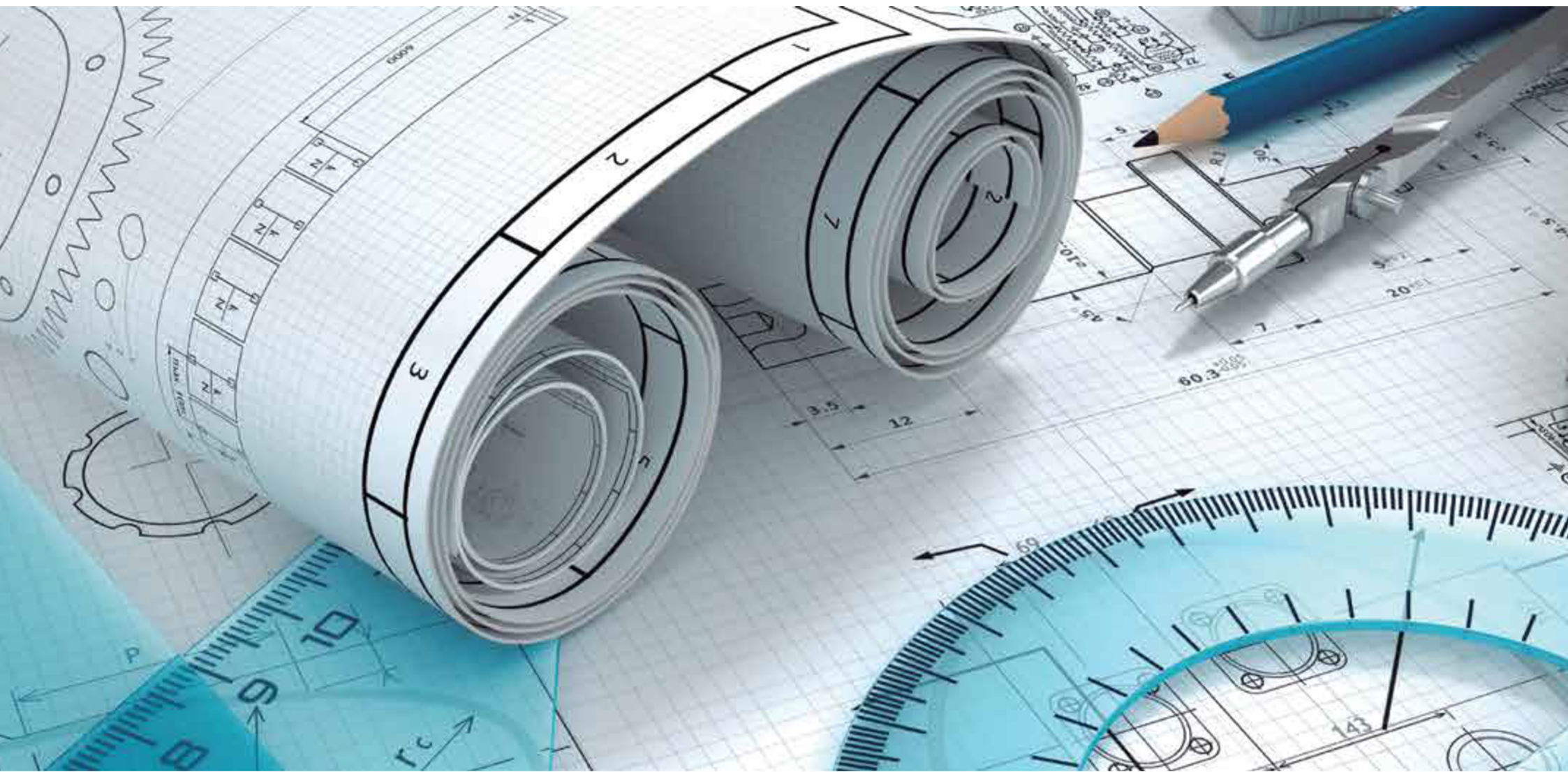
98°C



5
YEAR
Guarantee



TECHNICAL INFORMATION AND CERTIFICATES



GLOSSARY



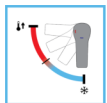
3 years warranty.



5 years warranty.



10 years warranty.



Mixer opens with cold water.



Anti scald technology.



Headwork/Diverter cartridge with ceramic disc.



Security system for thermostatic.



Air and water mixing device.



Product can be fixed without tools.



Low Pressure

Suitable for systems 0.1 bar + and above.



Flow Straightener

Ensures flow of water is directed at outlet.



Eco Aerator

Mixes water with air to reduce water consumption.



Flow Aerator

Aerates flow to form pleasant stream.



Single Flow

Hot & cold water mixes in model.



Dual Flow

Hot & cold water mixes at outlet.



Shower Kit Included

Shower handset included.



Limited flow system.



3 spray functions.



5 spray functions.



1 spray function.



Made from stainless steel.



A high-strength thermoplastic material.



Made with high quality brass.



Synthetic material with high performance.




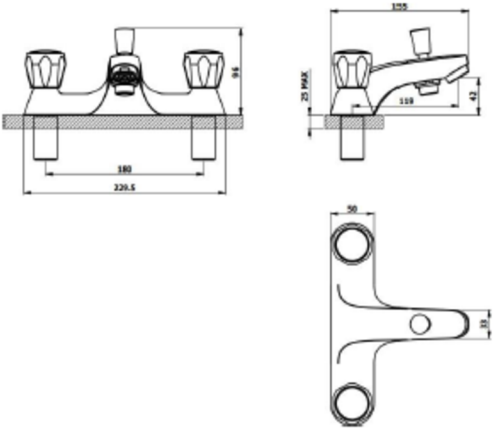








Made from metal material.



Made from synthetic material.


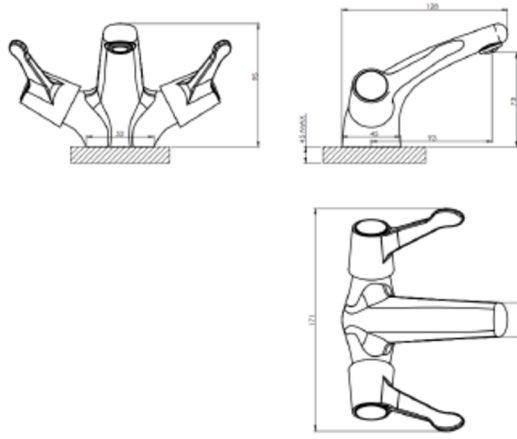
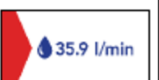





REF: 922036UK

DESCRIPTION: CLEVER ARAYA MODERN BATH & SHOWER MIXER CHROME

				Specification					
				Finish	Chrome				
Body		Brass							
Fittings		Metal Backnut & Washer							
Connection		3/4" BSP Threaded tail							
Min dynamic pressure		0.1							
Max dynamic pressure		6							
Max static pressure		25							
Max water temperature		60°C							
Flow rates									
Pressure	0.1	0.5	1	3					
Aerator									
F/Straight	8.0	23.9	34.3	60.5					
						Certifications			
									
Tested at 0.2 bar		2111305 – Nov 26							
									
2110720 – Oct 26									
Features & Benefits									
	 Low Pressure	 Metal Backnut	 Flow Straightener						
 Single Flow									

REF: 922065UK


DESCRIPTION: CLEVER ARAYA MERCIA QT MONO BASIN MIXER TWO HANDLE CHROME

				Specification					
				Finish	Chrome				
Body		Brass							
Fittings		Metal plate, washer, stud & locking nut							
Connection		M10 - DN8 Flexible Nylon hoses with 1/2" BSP thread ends							
Min dynamic pressure		0.1							
Max dynamic pressure		6							
Max static pressure		16							
Max water temperature		60°C							
Flow rates									
Pressure	0.1	0.5	1	3					
Aerator									
F/Straight	4.62	14.0	20.36	35.9					
						Certifications			
									
Tested at 3.0 bar									
Features & Benefits									
	 Low Pressure	 Flexible Hose	 Flow Straightener						
 Single Flow									

All Pressures in Bar. All flow in L/Min. Dimensions supplied are nominal and subject to tolerance. Inclusion or restrictors (sold separately unless stated) will affect flow rate result. Performance details are based on trials under test conditions and for guidance only. The Company reserves the right to change product specification without prior notice.


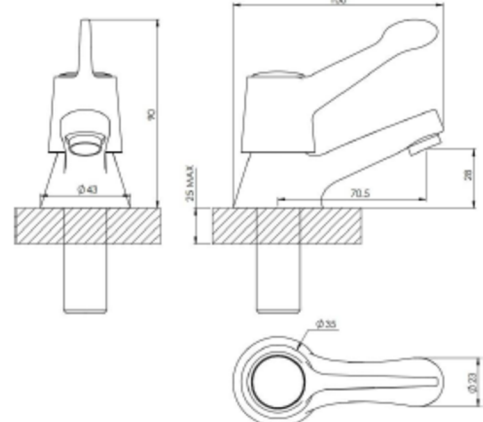
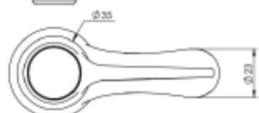
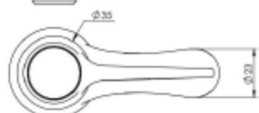
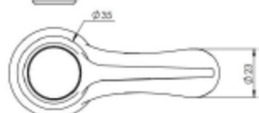
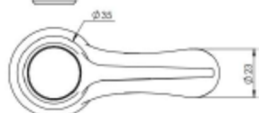



REF: 922064UK

DESCRIPTION: CLEVER ARAYA QT MONO BASIN MIXER CHROME

		Specification		
		Finish	Chrome	
		Body	Brass	
		Fittings	Metal plate, washer, stud & locking nut	
		Connection	M10 - DN8 Flexible Nylon hoses with 1/2" BSP thread ends	
		Min dynamic pressure	0.1	
		Max dynamic pressure	6	
		Max static pressure	16	
		Max water temperature	60°C	
		Flow rates		
Pressure	0.1	0.5	1	3
Aerator				
F/Straight	3.2	9.6	13.7	24.4
		Certifications		
		 Tested at 0.2 bar 2107310 – July 26	 2103738 – Mar 26	
				

REF: 922061UK


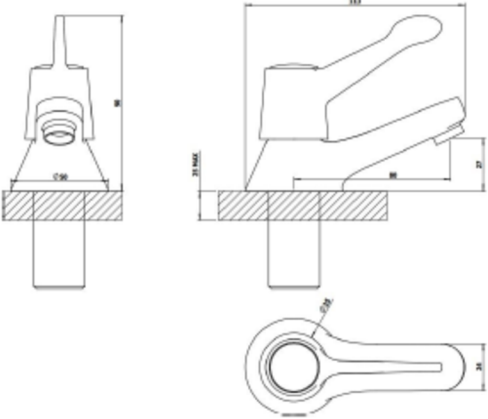








DESCRIPTION: CLEVER ARAYA QT BASIN TAP PAIR CHROME

		Specification		
		Finish	Chrome	
		Body	Brass	
		Fittings	Metal Backnut & Washer	
		Connection	1/2" BSP Threaded Tail	
		Min dynamic pressure	0.1	
		Max dynamic pressure	6	
		Max static pressure	16	
		Max water temperature	85°C	
		Flow rates		
Pressure	0.1	0.5	1	3
Aerator				
F/Straight	7.9	21.3	30.5	52.0
		Certifications		
		 Tested at 0.2 bar 2104311 – Apr 26	 2104713 – Apr 26	
				

All Pressures in Bar. All flow in L/Min. Dimensions supplied are nominal and subject to tolerance. Inclusion or restrictors (sold separately unless stated) will affect flow rate result. Performance details are based on trials under test conditions and for guidance only. The Company reserves the right to change product specification without prior notice.


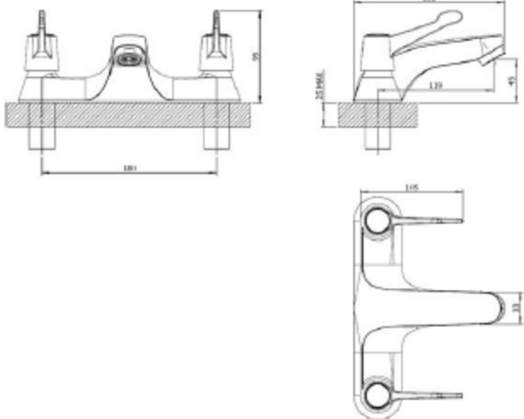








REF: 922063UK

DESCRIPTION: CLEVER ARAYA QT BATH TAP PAIR CHROME

				Specification			
				Finish	Chrome		
Body		Brass					
Fittings		Metal Backnut & Washer					
Connection		¾" BSP Threaded Tail					
Min dynamic pressure		0.1					
Max dynamic pressure		6					
Max static pressure		16					
Max water temperature		85°C					
Flow rates							
Pressure	0.1	0.5	1	3			
Aerator							
F/Straight	8.2	20.5	33.1	56.2			
				Certifications			
				 Tested at 0.2 bar 2104311 – Apr 26		 2104713 – Apr 26	
Features & Benefits				Certifications			
	 Low Pressure	 Metal Backnut	 Flow Straightener	 Tested at 0.2 bar 2109370 – Sept 26			
 Single Flow							

REF: 922000UK


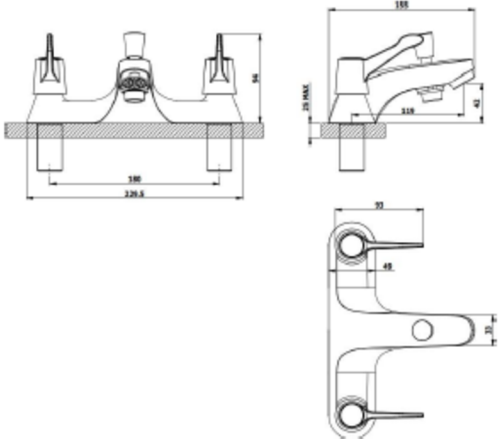









DESCRIPTION: CLEVER ARAYA QT BATH FILLER CHROME

				Specification			
				Finish	Chrome		
Body		Brass					
Fittings		Metal backnut & washer					
Connection		¾" BSP threaded tail					
Min dynamic pressure		0.1					
Max dynamic pressure		6					
Max static pressure		25					
Max water temperature		60°C					
Flow rates							
Pressure	0.1	0.5	1	3			
Aerator							
F/Straight	7.4	26.4	38.7	69.3			
				Certifications			
				 Tested at 0.2 bar 2109370 – Sept 26		 2106719 – June 26	
Features & Benefits				Certifications			
	 Low Pressure	 Inlet Tail	 Flow Straightener	 Tested at 0.2 bar 2109370 – Sept 26			
 Single Flow							

All Pressures in Bar. All flow in L/Min. Dimensions supplied are nominal and subject to tolerance. Inclusion or restrictors (sold separately unless stated) will affect flow rate result. Performance details are based on trials under test conditions and for guidance only. The Company reserves the right to change product specification without prior notice.

REF: 922066UK

DESCRIPTION: CLEVER ARAYA QT BATH & SHOWER MIXER CHROME

				Specification					
				Finish	Chrome				
Body		Brass							
Fittings		Metal backnut & washer							
Connection		¾" BSP threaded tail							
Min dynamic pressure		0.1							
Max dynamic pressure		6							
Max static pressure		25							
Max water temperature		60°C							
Flow rates									
Pressure	0.1	0.5	1	3					
Aerator									
F/Straight	6.4	18.2	26.2	46.0					
						Flow rates			
						Pressure	0.1	0.5	1
Aerator									
F/Straight	2.4	8.8	13.2	24.4					
Features & Benefits									
	 Low Pressure	 Metal Backnut	 Flow Straightener						
 Shower Kit Included	 Single Flow								
Certifications									
									
Tested at 0.2 bar		2111305 – Nov 26							
									
2110720 – Oct 26									

REF: 4S1205UK


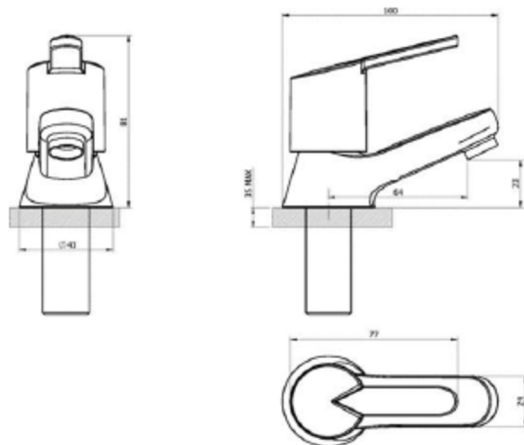






DESCRIPTION: CLEVER ARAYA URBAN MONO BASIN MIXER CHROME

				Specification					
				Finish	Chrome				
Body		Brass							
Fittings		Metal plate, washer, stud & locking nut							
Connection		M10 – DN8 flexible hoses with ½" BSP threaded ends							
Min dynamic pressure		0.1							
Max dynamic pressure		6							
Max static pressure		16							
Max water temperature		60°C							
Flow rates									
Pressure	0.1	0.5	1	3					
Aerator									
F/Straight	2.4	8.8	13.2	24.4					
						Flow rates			
						Pressure	0.1	0.5	1
Aerator									
F/Straight	2.4	8.8	13.2	24.4					
Features & Benefits									
	 Low Pressure	 Flexible Hose	 Flow Straightener						
 Flow Aerator	 Single Flow								
Certifications									
									
Tested at 0.2 bar		2004048 - April 25							

All Pressures in Bar. All flow in L/Min. Dimensions supplied are nominal and subject to tolerance. Inclusion or restrictors (sold separately unless stated) will affect flow rate result. Performance details are based on trials under test conditions and for guidance only. The Company reserves the right to change product specification without prior notice.


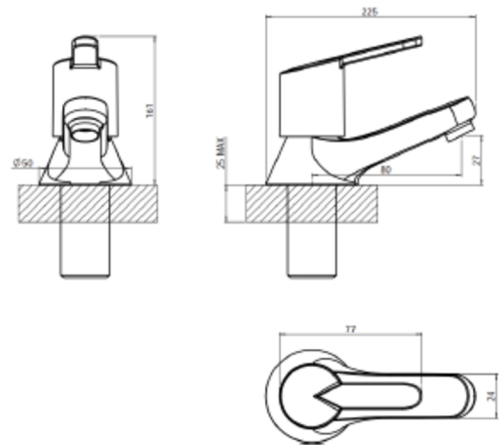






REF: 4S1201UK

DESCRIPTION: CLEVER ARAYA URBAN BASIN TAP PAIR CHROME

		Specification				
		Finish	Chrome			
		Body	Brass			
		Fittings	Metal backnut & washer			
		Connection	1/2" BSP threaded tail			
		Min dynamic pressure	0.1			
		Max dynamic pressure	6			
		Max static pressure	16			
		Max water temperature	85°C			
		Flow rates				
		Pressure	0.1	0.5	1	3
		Aerator				
		F/Straight	7.0	20.8	32.1	57.6
Features & Benefits		Certifications				
	 Low Pressure	 Inlet Tail	 Flow Straightener	 <i>Tested at 0.2 bar</i>		
 Single Flow						

REF: 4S1202UK


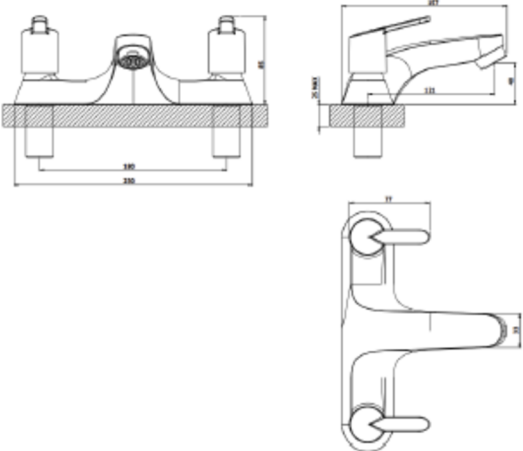





DESCRIPTION: CLEVER ARAYA URBAN BATH TAP PAIR CHROME

		Specification				
		Finish	Chrome			
		Body	Brass			
		Fittings	Metal backnut & washer			
		Connection	3/4" BSP threaded tail			
		Min dynamic pressure	0.1			
		Max dynamic pressure	6			
		Max static pressure	16			
		Max water temperature	85°C			
		Flow rates				
		Pressure	0.1	0.5	1	3
		Aerator				
		F/Straight	7.6	25.9	38.1	68.4
Features & Benefits		Certifications				
	 Low Pressure	 Inlet Tail	 Flow Straightener	 <i>Tested at 0.2 bar</i>		
 Single Flow						

All Pressures in Bar. All flow in L/Min. Dimensions supplied are nominal and subject to tolerance. Inclusion or restrictors (sold separately unless stated) will affect flow rate result. Performance details are based on trials under test conditions and for guidance only. The Company reserves the right to change product specification without prior notice.


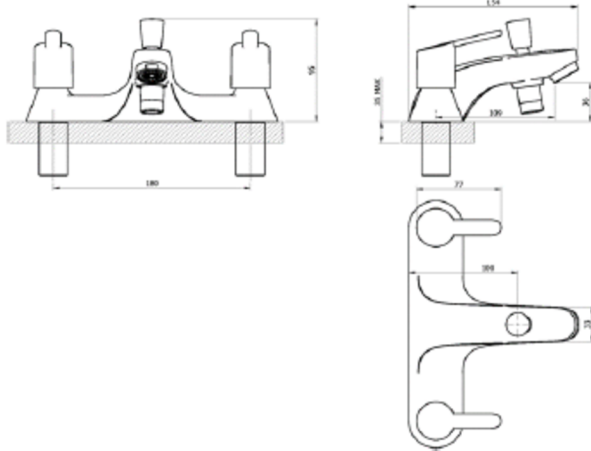







REF: 4S1203UK

DESCRIPTION: CLEVER ARAYA URBAN BATH FILLER

				Specification			
				Finish	Chrome		
Body		Brass					
Fittings		Metal backnut & washer					
Connection		1/2" BSP threaded tail					
Min dynamic pressure		0.1					
Max dynamic pressure		6					
Max static pressure		25					
Max water temperature		60°C					
Flow rates							
Pressure	0.1	0.5	1	3			
Aerator							
F/Straight	7.4	26.4	38.7	69.3			
				Certifications			
							
Features & Benefits				Tested at 0.2 bar			
	 Low Pressure	 Flow Straightener	 Single Flow				

REF: 4S1204UK

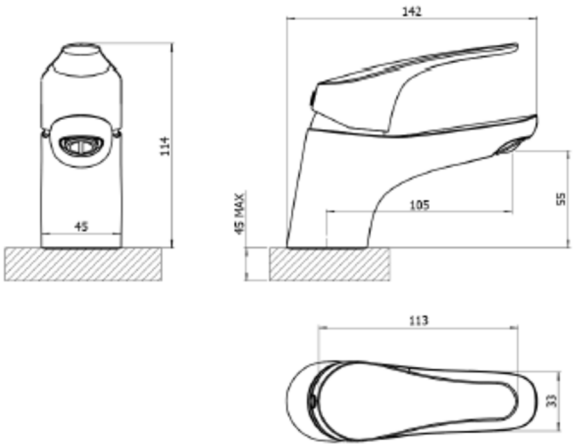




DESCRIPTION: CLEVER ARAYA URBAN BATH & SHOWER MIXER CHROME

				Specification			
				Finish	Chrome		
Body		Brass					
Fittings		Metal backnut & washer					
Connection		1/2" BSP threaded tail					
Min dynamic pressure		0.1					
Max dynamic pressure		6					
Max static pressure		25					
Max water temperature		60°C					
Flow rates							
Pressure	0.1	0.5	1	3			
Aerator							
F/Straight	5.0	18.2	26.9	48.7			
				Certifications			
							
Features & Benefits				Tested at 0.2 bar			
	 Low Pressure	 Flow Straightener	 Single Flow				
 Shower Kit Included	 1F Shower Handset						

All Pressures in Bar. All flow in L/Min. Dimensions supplied are nominal and subject to tolerance. Inclusion or restrictors (sold separately unless stated) will affect flow rate result. Performance details are based on trials under test conditions and for guidance only. The Company reserves the right to change product specification without prior notice.


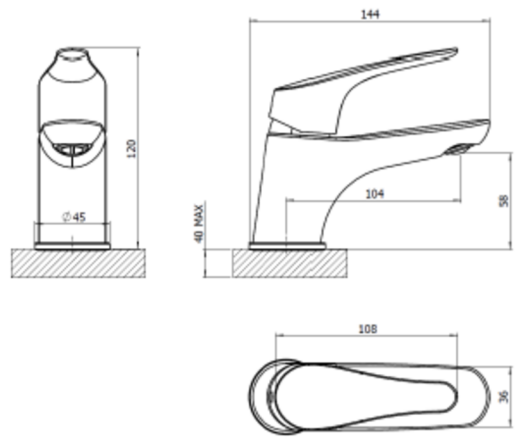






REF: 922303UK

DESCRIPTION: CLEVER ARAYA LUJO MONO BASIN MIXER CHROME

		Specification	
		Finish	Chrome
		Body	Brass
		Fittings	Metal plate, washer, stud & locking nut
		Connection	M10 - DN8 Flexible hoses with 1/2" BSP thread ends
		Min dynamic pressure	0.1
		Max dynamic pressure	6
		Max static pressure	16
		Max water temperature	65°C
		Flow rates	
		Pressure	0.1 0.5 1 3
		Aerator	
		F/Straight	3.1 8.8 12.6 22.9
		Certifications	
		 	
		Tested at 0.2 bar	
		2107310 – July 26	
			
		2103738 – March 26	
Features & Benefits			
 Guarantee	 Low Pressure	 Flexible Hose	 Flow Straightener
 Single Flow			

REF: 922302UK


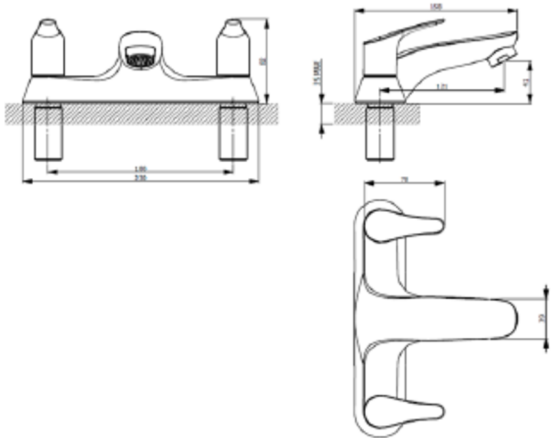








DESCRIPTION: CLEVER ARAYA LUJO SLIM MONO BASIN MIXER CHROME

		Specification	
		Finish	Chrome
		Body	Brass
		Fittings	Metal plate, washer, stud & locking nut
		Connection	M10 - DN8 Flexible hoses with 1/2" BSP thread ends
		Min dynamic pressure	0.1
		Max dynamic pressure	6
		Max static pressure	16
		Max water temperature	65°C
		Flow rates	
		Pressure	0.1 0.5 1 3
		Aerator	
		F/Straight	2.2 7.5 10.9 19.2
		Certifications	
		 	
		Tested at 0.2 bar	
		2107310 – July 26	
			
		2103738 – March 26	
Features & Benefits			
 Guarantee	 Low Pressure	 Flexible Hose	 Flow Straightener
 Single Flow			

All Pressures in Bar. All flow in L/Min. Dimensions supplied are nominal and subject to tolerance. Inclusion or restrictors (sold separately unless stated) will affect flow rate result. Performance details are based on trials under test conditions and for guidance only. The Company reserves the right to change product specification without prior notice.


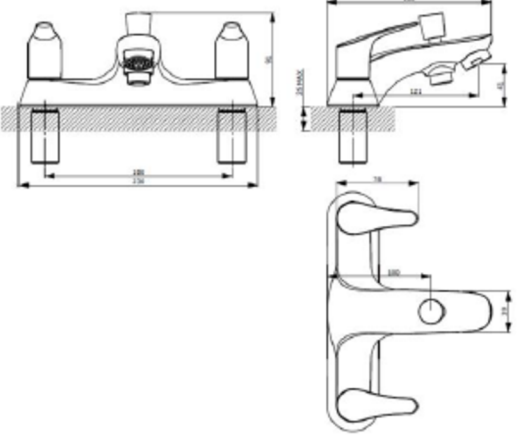









REF: 922305UK

DESCRIPTION: CLEVER ARAYA LUJO BATH FILLER CHROME

				Specification					
				Finish		Chrome		Body	
Fittings		Metal Backnut & Washer		Connection		¾" BSP Threaded tail			
Min dynamic pressure		0.1		Max dynamic pressure		6			
Max static pressure		25		Max water temperature		65°C			
Flow rates									
Pressure	0.1	0.5	1	3					
Aerator									
F/Straight	7.3	22.2	31.7	52.3					
				Flow rates					
Features & Benefits				Certifications					
 10 YEAR Guarantee	 L Low Pressure	 Metal Backnut	 Flow Straightener	 13.5 l/min	 WRAS APPROVED PRODUCT				
Tested at 0.2 bar		2109370 – Sept 26							
 Single Flow				 kiwa APPROVED DR WATER REGULATION 4					
								2106719 – June 26	

REF: 922306UK


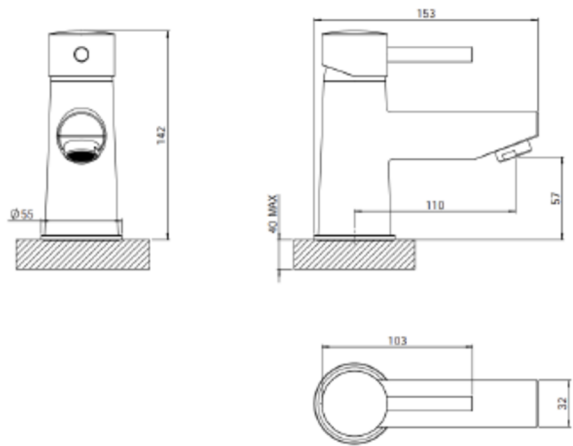
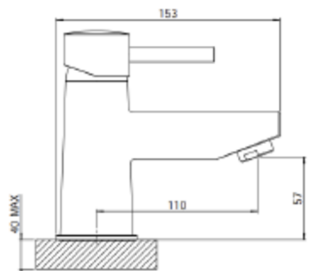
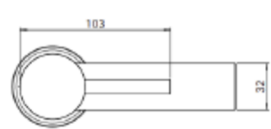





























































































































































































































DESCRIPTION: CLEVER ARAYA LUJO BATH & SHOWER MIXER CHROME

				Specification					
				Finish		Chrome		Body	
Fittings		Metal Backnut & Washer		Connection		¾" BSP Threaded tail			
Min dynamic pressure		0.1		Max dynamic pressure		6			
Max static pressure		25		Max water temperature		65°C			
Flow rates									
Pressure	0.1	0.5	1	3					
Aerator									
F/Straight	7.3	17.9	25.6	43.7					
				Flow rates					
Features & Benefits				Certifications					
 10 YEAR Guarantee	 L Low Pressure	 Metal Backnut	 Flow Straightener	 10.9 l/min	 WRAS APPROVED PRODUCT				
Tested at 0.2 bar		2111306 – Nov 26							
 Shower Kit Included				 Single Flow				 kiwa APPROVED DR WATER REGULATION 4	

All Pressures in Bar. All flow in L/Min. Dimensions supplied are nominal and subject to tolerance. Inclusion or restrictors (sold separately unless stated) will affect flow rate result. Performance details are based on trials under test conditions and for guidance only. The Company reserves the right to change product specification without prior notice.


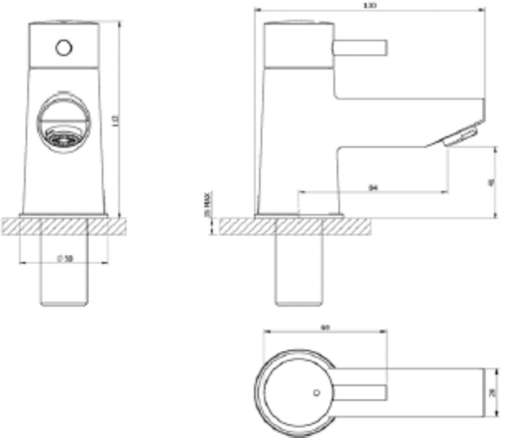



REF: UK4G4122

DESCRIPTION: EBRO MONO BASIN MIXER

		Specification					
		Finish	Chrome				
		Body	Brass				
		Fittings	Metal plate, washer, stud & locking nut				
		Connection	M12 – DN8 flexible hoses with ½" BSP threaded ends				
		Min dynamic pressure	0.1				
		Max dynamic pressure	6				
		Max static pressure	16				
		Max water temperature	60°C				
		Flow rates					
		Pressure	0.1	0.5	1	3	
		Aerator					
		F/Straight	1.6	7.8	12.0	21.9	
		Certifications					
							
							
							
							
							
							
							
							
							
							
							
							
							
							
							
							
							
							
							
							
							
							
							
							
							
							
							
							
							
							
							
							
							
							
							
							
							
							
							
							
							
							
							
							
							
							
							
							
							
							
							
							
							
							
							
							
							
							
							
							
							
							
							


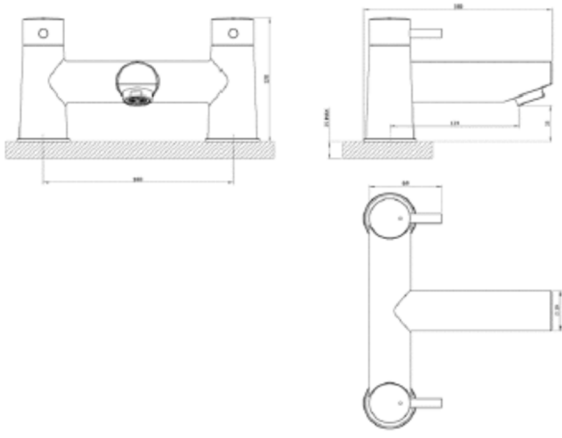




REF: UK4G4121

DESCRIPTION: EBRO BATH TAP PAIR

				Specification							
				Finish	Chrome						
Body		Brass									
Fittings		Metal backnut & washer									
Connection		¼" BSP threaded tail									
Min dynamic pressure			0.1								
Max dynamic pressure			6								
Max static pressure			16								
Max water temperature			85°C								
Flow rates											
Pressure	0.1	0.5	1	3							
Aerator											
F/Straight	10.1	30.1	43.7	78.2							
						Features & Benefits					
											
Certifications											
Tested at 0.2 bar											

REF: UK4G4124


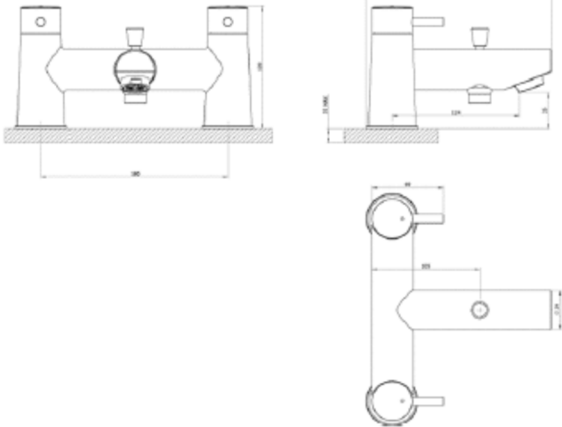





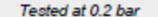
DESCRIPTION: EBRO BATH FILLER

				Specification							
				Finish	Chrome						
Body		Brass									
Fittings		Metal backnut & washer									
Connection		¼" BSP threaded tail									
Min dynamic pressure			0.1								
Max dynamic pressure			6								
Max static pressure			16								
Max water temperature			60°C								
Flow rates											
Pressure	0.1	0.5	1	3							
Aerator											
F/Straight	19.6	37.4	54.8	97.4							
						Features & Benefits					
											
Certifications											
Tested at 0.2 bar											

All Pressures in Bar. All flow in L/Min. Dimensions supplied are nominal and subject to tolerance. Inclusion or restrictors (sold separately unless stated) will affect flow rate result. Performance details are based on trials under test conditions and for guidance only. The Company reserves the right to change product specification without prior notice.


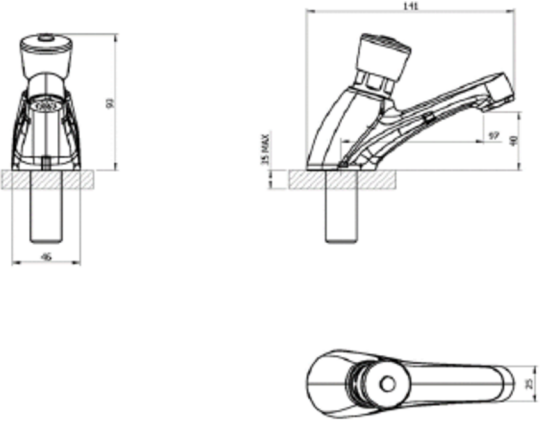




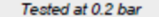
REF: UK4G4125

DESCRIPTION: EBRO BATH & SHOWER MIXER

				Specification					
				Finish	Chrome				
Body		Brass							
Fittings		Metal backnut & washer							
Connection		¾" BSP threaded tail							
Min dynamic pressure		0.1							
Max dynamic pressure		6							
Max static pressure		16							
Max water temperature		60°C							
Flow rates									
Pressure	0.1	0.5	1	3					
Aerator									
F/Straight	8.6	31.1	45.3	80.4					
						Features & Benefits			
						   			
						Certifications			
									

REF: 349001UK


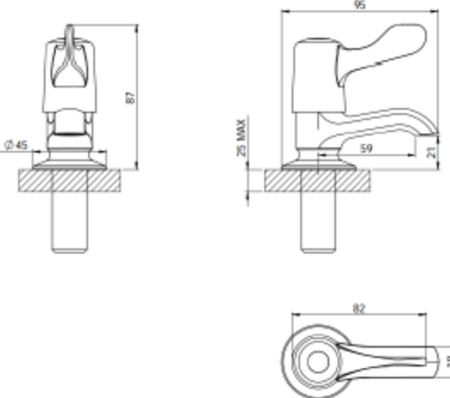






DESCRIPTION: CLEVER PERFORMA NON CONCUSSIVE BASIN TAP PAIR

				Specification					
				Finish	Chrome				
Body		Brass							
Fittings		Metal Backnut & Washer							
Connection		½" BSP threaded tail							
Min dynamic pressure		0.1							
Max dynamic pressure		6							
Max static pressure		16							
Max water temperature		85°C							
Flow rates									
Pressure	0.1	0.5	1	3					
Aerator									
F/Straight	2.4	8.3	12.3	22.8					
						Features & Benefits			
						   			
						Certifications			

All Pressures in Bar. All flow in L/Min. Dimensions supplied are nominal and subject to tolerance. Inclusion or restrictors (sold separately unless stated) will affect flow rate result. Performance details are based on trials under test conditions and for guidance only. The Company reserves the right to change product specification without prior notice.


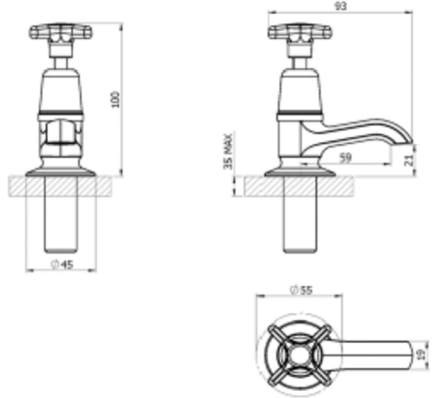






REF: 308027UK

DESCRIPTION: CLEVER PERFORMA 2159QT LEVER QT BASIN TAP HOT

				Specification					
				Finish	Chrome				
Body		Brass							
Fittings		Metal Backnut & Washer							
Connection		½" BSP threaded tail							
Min dynamic pressure		0.1							
Max dynamic pressure		6							
Max static pressure		16							
Max water temperature		85°C							
Flow rates									
Pressure	0.1	0.5	1	3					
L/min	3.0	11.4	16.8	30.3					
						Certifications			
									
Features & Benefits									
									
Certifications									
									
<i>Tested at 0.2 bar</i>									

REF: 301007UK


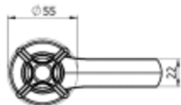


DESCRIPTION: CLEVER PERFORMA 2159 CROSS TOP BASIN TAP HOT

				Specification					
				Finish	Chrome				
Body		Brass							
Fittings		Metal Backnut & Washer							
Connection		½" BSP threaded tail							
Min dynamic pressure		0.1							
Max dynamic pressure		6							
Max static pressure		16							
Max water temperature		85°C							
Flow rates									
Pressure	0.1	0.5	1	3					
L/min	5.0	15.8	23.1	41.7					
						Certifications			
									
Features & Benefits									
									
Certifications									
									
<i>Tested at 0.2 bar</i>									

All Pressures in Bar. All flow in L/Min. Dimensions supplied are nominal and subject to tolerance. Inclusion or restrictors (sold separately unless stated) will affect flow rate result. Performance details are based on trials under test conditions and for guidance only. The Company reserves the right to change product specification without prior notice.


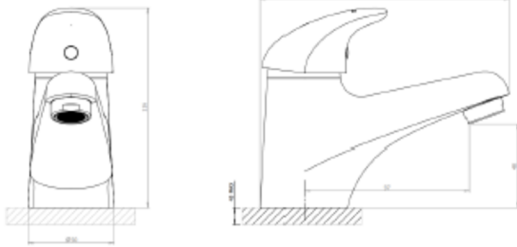
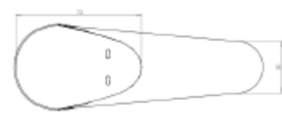


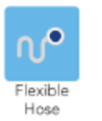







REF: 302008UK

DESCRIPTION: CLEVER PERFORMA 2159 CROSS TOP BATH TAP HOT

		Specification		
		Finish	Chrome	
		Body	Brass	
		Fittings	Metal Backnut & Washer	
		Connection	3/4" BSP threaded tail	
		Min dynamic pressure	0.1	
		Max dynamic pressure	6	
		Max static pressure	16	
		Max water temperature	85°C	
		Flow rates		
Pressure	0.1	0.5	1	3
L/min	7.8	26.2	38.3	68.1
Features & Benefits				
				
Certifications				
				
Tested at 0.2 bar				

REF: 4G4003UK


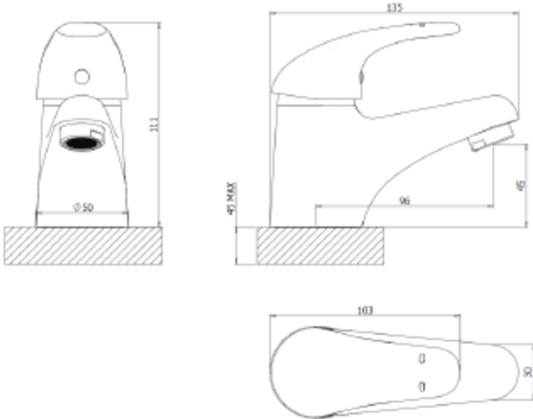










DESCRIPTION: CLEVER HAZE MONO BASIN MIXER CHROME

		Specification		
		Finish	Chrome	
		Body	Brass	
		Fittings	Metal plate, washer, stud & locking nut	
		Connection	M12 - DN8 Flexible hoses - 1/2" BSP thread ends	
		Min dynamic pressure	0.1	
		Max dynamic pressure	6	
		Max static pressure	16	
		Max water temperature	60°C	
		Flow rates		
Pressure	0.1	0.5	1	3
Aerator				
F/Straight	1.9	8.1	12.1	22.5
Features & Benefits				
				
				
Certifications				
				
Tested at 0.2 bar		2310745 - Oct 28		
				
2310745 - Oct 28				

All Pressures in Bar. All flow in L/Min. Dimensions supplied are nominal and subject to tolerance. Inclusion or restrictors (sold separately unless stated) will affect flow rate result. Performance details are based on trials under test conditions and for guidance only. The Company reserves the right to change product specification without prior notice.


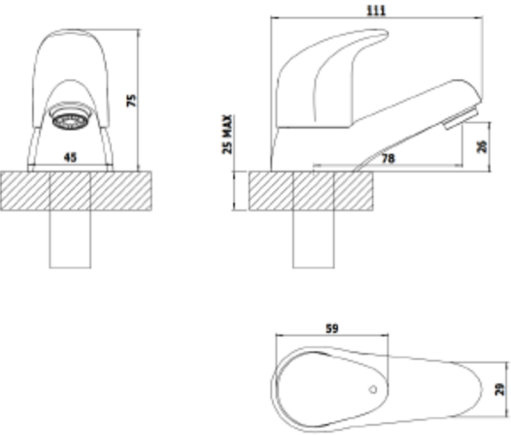






REF: 922072UK

DESCRIPTION: CLEVER HAZE MINI MONO BASIN MIXER CHROME

	Specification			
	Finish	Chrome		
Body	Brass			
Fittings	Metal plate, washer, stud & locking nut			
Connection	M12 - DN8 Flexible hoses - 1/2" BSP thread ends			
Min dynamic pressure	0.1			
Max dynamic pressure	6			
Max static pressure	16			
Max water temperature	60°C			
Flow rates				
Pressure	0.1	0.5	1	3
Aerator				
F/Straight	2.5	8.9	13.2	23.5
Dimensions				
				
Features & Benefits				
				
				
Certifications				
				
Tested at 0.2 bar		2310344 – Oct 28		
				
2310745 – Oct 28				

REF: 922070UK


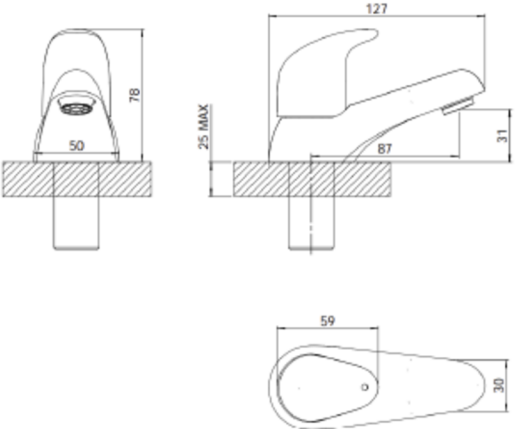






DESCRIPTION: CLEVER HAZE BASIN TAP PAIR CHROME

	Specification			
	Finish	Chrome		
Body	Brass			
Fittings	Metal Backnut & Washer			
Connection	1/2" BSP Threaded Tail			
Min dynamic pressure	0.1			
Max dynamic pressure	6			
Max static pressure	16			
Max water temperature	85°C			
Flow rates				
Pressure	0.1	0.5	1	3
Aerator				
F/Straight	7.6	23.7	34.6	62.2
Dimensions				
				
Features & Benefits				
				
Certifications				
				
Tested at 0.2 bar		2309357 – Sep 28		

All Pressures in Bar. All flow in L/Min. Dimensions supplied are nominal and subject to tolerance. Inclusion or restrictors (sold separately unless stated) will affect flow rate result. Performance details are based on trials under test conditions and for guidance only. The Company reserves the right to change product specification without prior notice.


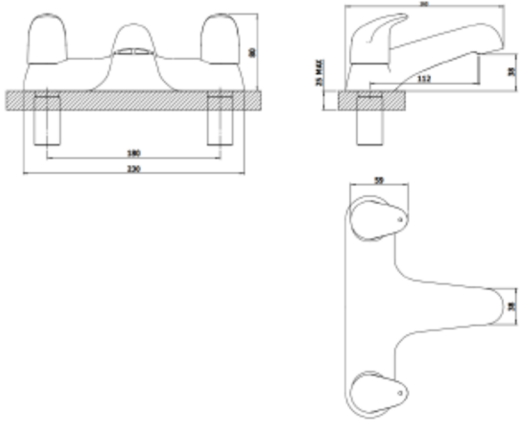





REF: 922071UK

DESCRIPTION: CLEVER HAZE BATH TAP PAIR CHROME

				Specification					
				Finish	Chrome				
Body		Brass							
Fittings		Metal Backnut & Washer							
Connection		¼" BSP Threaded Tail							
Min dynamic pressure		0.1							
Max dynamic pressure		6							
Max static pressure		16							
Max water temperature		85°C							
Flow rates									
Pressure	0.1	0.5	1	3					
Aerator									
F/Straight	11.7	40.2	58.6	104					
						Flow rates			
						Pressure	0.1	0.5	1
Aerator									
Open Spout	13.1	46.0	67.6	120					
Features & Benefits									
									
Low Pressure		Flow Straightener		Single Flow					
Certifications									
									
Tested at 0.2 bar		2309357 – Sep 28							

REF: 922073UK


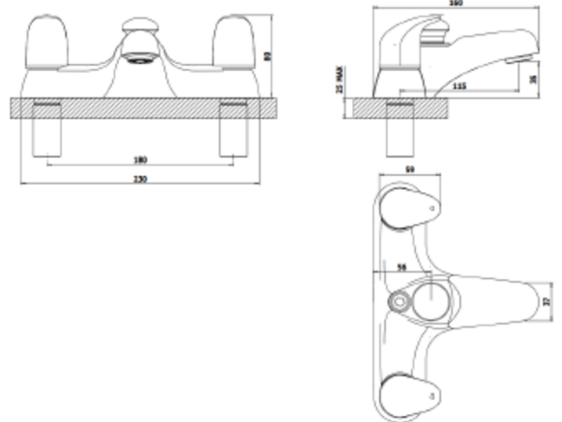





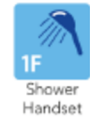


DESCRIPTION: CLEVER HAZE BATH FILLER CHROME

				Specification					
				Finish	Chrome				
Body		Brass							
Fittings		Metal Backnut & Washer							
Connection		¼" BSP Threaded Tail							
Min dynamic pressure		0.1							
Max dynamic pressure		6							
Max static pressure		25							
Max water temperature		85°C							
Flow rates									
Pressure	0.1	0.5	1	3					
Aerator									
Open Spout	13.1	46.0	67.6	120					
						Flow rates			
						Pressure	0.1	0.5	1
Aerator									
Open Spout	13.1	46.0	67.6	120					
Features & Benefits									
									
Low Pressure		Dual Flow							
Certifications									
									
Tested at 0.2 bar		2309358 – Sep 28							

All Pressures in Bar. All flow in L/Min. Dimensions supplied are nominal and subject to tolerance. Inclusion or restrictors (sold separately unless stated) will affect flow rate result. Performance details are based on trials under test conditions and for guidance only. The Company reserves the right to change product specification without prior notice.


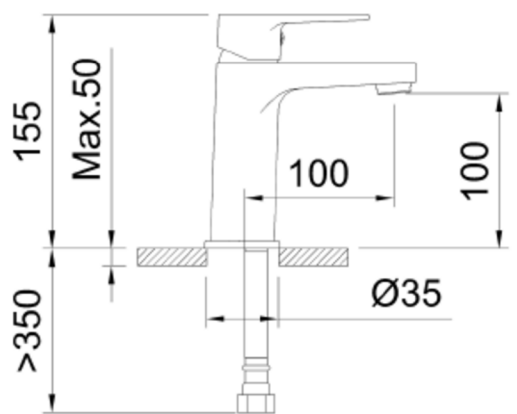




REF: 922074UK

DESCRIPTION: CLEVER HAZE BATH & SHOWER MIXER CHROME

				Specification			
				Finish	Chrome		
Body		Brass					
Fittings		Metal Backnut & Washer					
Connection		¾" BSP Threaded Tail					
Min dynamic pressure		0.1					
Max dynamic pressure		6					
Max static pressure		25					
Max water temperature		60°C					
Flow rates							
Pressure	0.1	0.5	1	3			
Aerator							
F/Straight	10.5	35.6	52.4	94.6			
							
						Features & Benefits	
							
							
Certifications							
							
Tested at 0.2 bar		2312345 – Dec 28					

REF: 62141UK

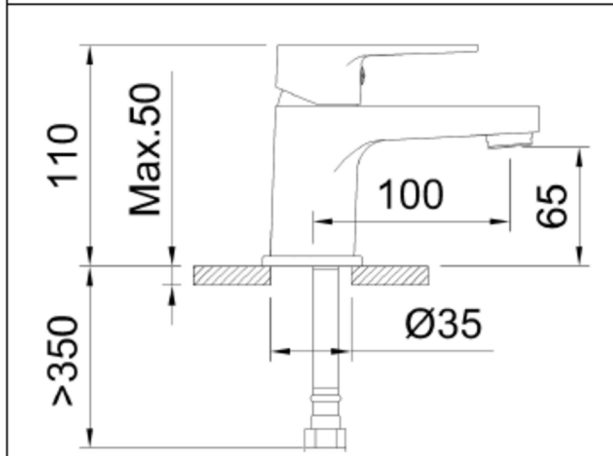
DESCRIPTION: CLEVER GOI2 MONO BASIN

				Specification			
				Finish	Black		
Body		Brass					
Fittings		Metal plate, washer, stud & locking nut					
Connection		M10 - DN8 Flexible hoses with 1/2" BSP thread ends					
Min dynamic pressure		0.1					
Max dynamic pressure		5					
Max static pressure		10					
Max water temperature		75°C					
Flow rates							
Pressure	0.1	0.5	1	3			
Aerator	3.4	7.6	11	19.3			
F/Straight							
							
						Features & Benefits	
							
Certifications							

All Pressures in Bar. All flow in L/Min. Dimensions supplied are nominal and subject to tolerance. Inclusion or restrictors (sold separately unless stated) will affect flow rate result. Performance details are based on trials under test conditions and for guidance only. The Company reserves the right to change product specification without prior notice.

REF: 62140UK

DESCRIPTION: CLEVER GO!2 MINI MONO BASIN



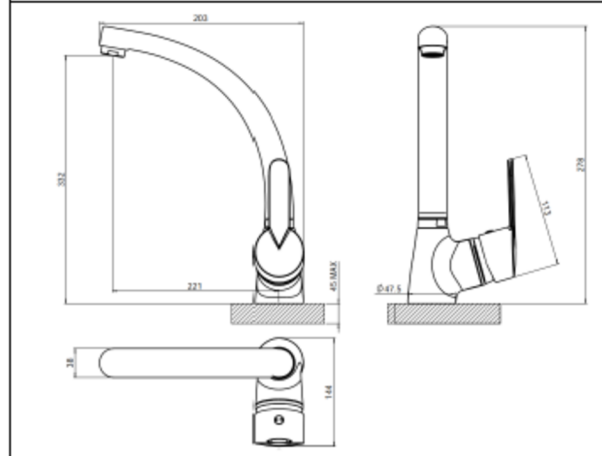
Specification	
Finish	Black
Body	Brass
Fittings	Metal plate, washer, stud & locking nut
Connection	M10 - DN8 Flexible hoses with 1/2" BSP thread ends
Min dynamic pressure	0.1
Max dynamic pressure	5
Max static pressure	10
Max water temperature	75°C
Flow rates	
Pressure	0.1 0.5 1 3
Aerator	3.1 7.3 10.6 18.6
F/Straight	

Features & Benefits

Certifications

REF: 4S1209UK

DESCRIPTION: CLEVER ARAYA KITCHEN MIXER CHROME



Specification	
Finish	Chrome
Body	Brass
Fittings	Metal plate, washer, stud & locking nut
Connection	M10 - DN8 flexible hoses with 1/2" BSP threaded ends
Min dynamic pressure	0.1
Max dynamic pressure	6
Max static pressure	16
Max water temperature	60°C
Flow rates	
Pressure	0.1 0.5 1 3
Aerator	
F/Straight	1.6 8.2 12.2 22.3

Features & Benefits


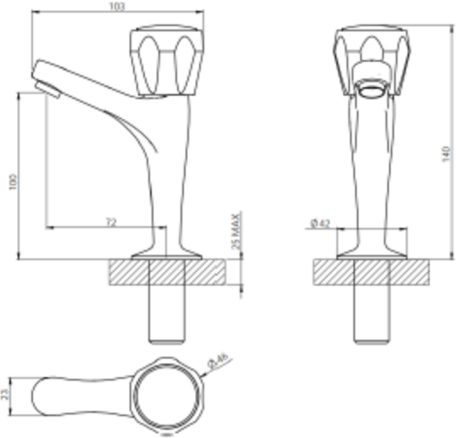






Certifications

Tested at 0.2 bar	2207364 - Jul 27
2207762 - Jul 27	

All Pressures in Bar. All flow in L/Min. Dimensions supplied are nominal and subject to tolerance. Inclusion or restrictors (sold separately unless stated) will affect flow rate result. Performance details are based on trials under test conditions and for guidance only. The Company reserves the right to change product specification without prior notice.


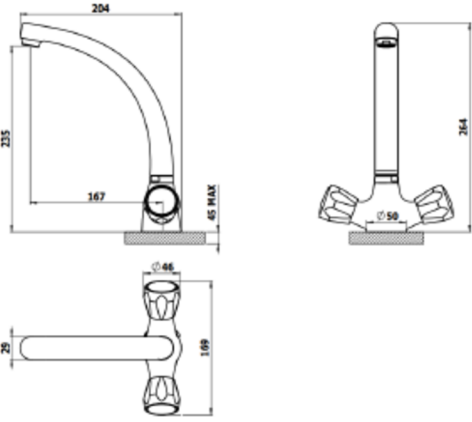






REF: 922038UK

DESCRIPTION: CLEVER ARAYA MODERN HIGH NECK KITCHEN TAP PAIR CHROME

				Specification			
				Finish	Chrome		
Body		Brass					
Fittings		Metal Backnut & Washer					
Connection		½" BSP Threaded Tail					
Min dynamic pressure		0.1					
Max dynamic pressure		6					
Max static pressure		16					
Max water temperature		80°C					
Flow rates							
Pressure	0.1	0.5	1	3			
Aerator							
F/Straight	11.2	32.6	47.2	82.9			
				Certifications			
				 Tested at 0.2 bar 2104312 – Apr 26		 2104714 – Apr 26	
Features & Benefits				Flow rates			
	 Low Pressure	 Flow Straightener	 Single Flow	Pressure	0.1		
				Aerator			
				F/Straight	4.3		

REF: 922039UK


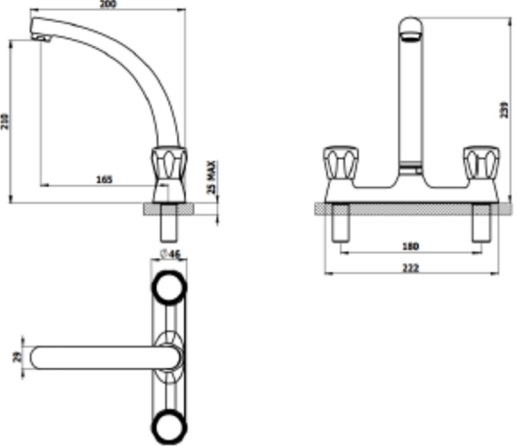







DESCRIPTION: CLEVER ARAYA MODERN KITCHEN MIXER CHROME

				Specification			
				Finish	Chrome		
Body		Brass					
Fittings		Metal plate, washer, stud & locking nut					
Connection		M12 - DN8 Flexible hoses - 1/2" BSP thread ends					
Min dynamic pressure		0.1					
Max dynamic pressure		6					
Max static pressure		16					
Max water temperature		60°C					
Flow rates							
Pressure	0.1	0.5	1	3			
Aerator							
F/Straight	4.3	16.0	23.6	42.2			
				Certifications			
				 Tested at 0.2 bar 2109375 – Sept 26		 2106718 – June 26	
Features & Benefits				Flow rates			
	 Low Pressure	 Flow Straightener	 Single Flow	Pressure	0.1		
				Aerator			
				F/Straight	4.3		

All Pressures in Bar. All flow in L/Min. Dimensions supplied are nominal and subject to tolerance. Inclusion or restrictors (sold separately unless stated) will affect flow rate result. Performance details are based on trials under test conditions and for guidance only. The Company reserves the right to change product specification without prior notice.


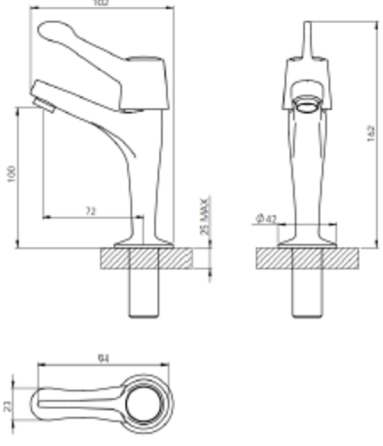







REF: 922040UK

DESCRIPTION: CLEVER ARAYA MODERN DECK KITCHEN MIXER CHROME

		Specification		
		Finish	Chrome	
		Body	Brass	
		Fittings	Metal Backnut & Washer	
		Connection	½" BSP Threaded Tail	
		Min dynamic pressure	0.1	
		Max dynamic pressure	6	
		Max static pressure	16	
		Max water temperature	60°C	
Flow rates				
Pressure	0.1	0.5	1	3
Aerator				
F/Straight	8.2	24.3	35.4	59.7
Features & Benefits		Certifications		
				
Low Pressure	Flow Straightener	Single Flow		
				<i>Tested at 0.2 bar</i> 2109376 – Sept 26
				
				2108720 – Aug 26

REF: 922068UK


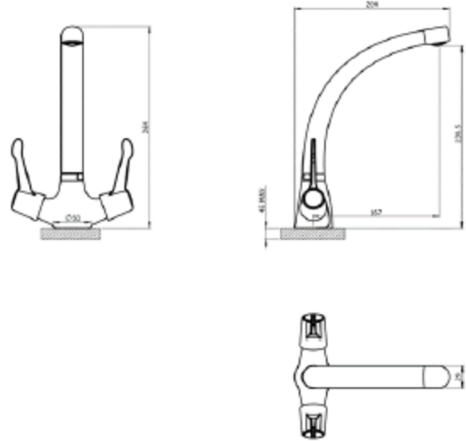







DESCRIPTION: CLEVER ARAYA QT HIGH NECK KITCHEN TAP PAIR CHROME

		Specification		
		Finish	Chrome	
		Body	Brass	
		Fittings	Metal Backnut & Washer	
		Connection	½" BSP Threaded Tail	
		Min dynamic pressure	0.1	
		Max dynamic pressure	6	
		Max static pressure	16	
		Max water temperature	85°C	
Flow rates				
Pressure	0.1	0.5	1	3
Aerator				
F/Straight	7.1	21.0	30.3	52.7
Features & Benefits		Certifications		
				
Low Pressure	Flow Straightener	Single Flow		
				<i>Tested at 0.2 bar</i> 2104312 – Apr 26
				
				2104714 – Apr 26

All Pressures in Bar. All flow in L/Min. Dimensions supplied are nominal and subject to tolerance. Inclusion or restrictors (sold separately unless stated) will affect flow rate result. Performance details are based on trials under test conditions and for guidance only. The Company reserves the right to change product specification without prior notice.


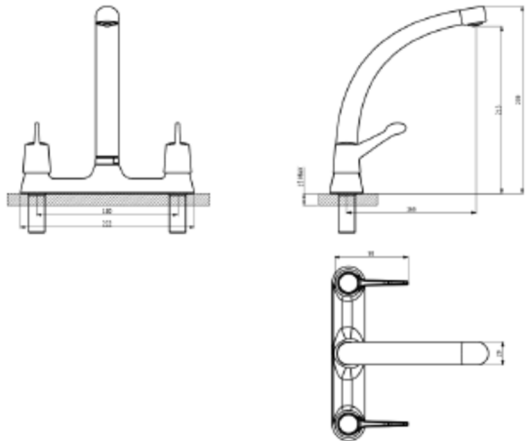







REF: 922069UK

DESCRIPTION: CLEVER ARAYA QT KITCHEN MIXER CHROME

				Specification			
				Finish	Chrome		
Body		Brass					
Fittings		Metal plate, washer, stud & locking nut					
Connection		M12 - DN8 Flexible hoses - 1/2" BSP thread ends					
Min dynamic pressure		0.1					
Max dynamic pressure		6					
Max static pressure		16					
Max water temperature		60°C					
Flow rates							
Pressure	0.1	0.5	1	3			
Aerator							
F/Straight	4.0	13.9	20.3	35.7			
				Certifications			
				 		   	
				Tested at 0.2 bar 2109375 – Sept 26			
							
				2106718 – June 26			

REF: 922075UK


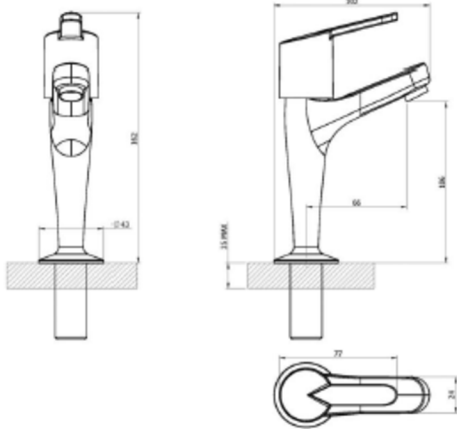







DESCRIPTION: CLEVER ARAYA QT DECK KITCHEN MIXER CHROME

				Specification			
				Finish	Chrome		
Body		Brass					
Fittings		Metal Backnut & Washer					
Connection		1/2" BSP Threaded Tail					
Min dynamic pressure		0.1					
Max dynamic pressure		6					
Max static pressure		16					
Max water temperature		60°C					
Flow rates							
Pressure	0.1	0.5	1	3			
Aerator							
F/Straight	5.3	18.5	26.9	46.4			
				Certifications			
				 		   	
				Tested at 0.2 bar 2109376 – Sept 26			
							
				2108720 – Aug 26			

All Pressures in Bar. All flow in L/Min. Dimensions supplied are nominal and subject to tolerance. Inclusion or restrictors (sold separately unless stated) will affect flow rate result. Performance details are based on trials under test conditions and for guidance only. The Company reserves the right to change product specification without prior notice.


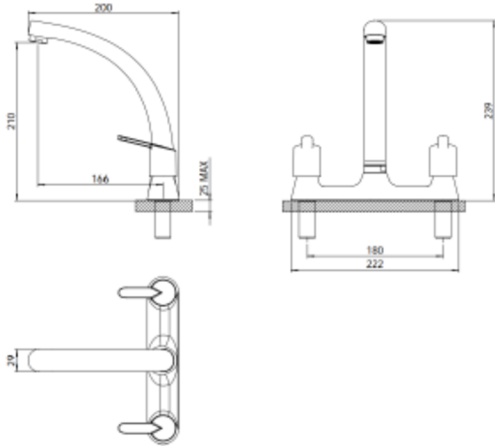







REF: 4S1211UK

DESCRIPTION: CLEVER ARAYA HIGH NECK KITCHEN TAP PAIR CHROME

				Specification			
				Finish	Chrome		
Body		Brass					
Fittings		Metal backnut & washer					
Connection		½" BSP threaded tail					
Min dynamic pressure		0.1					
Max dynamic pressure		6					
Max static pressure		16					
Max water temperature		85°C					
Flow rates							
Pressure	0.1	0.5	1	3			
Aerator							
F/Straight	6.4	20.7	30.1	53.4			
							
Features & Benefits							
							
Certifications							
							
Tested at 0.2 bar		2207364 – July 27					
							
2209727 – Sep 27							

REF: 4S1210UK


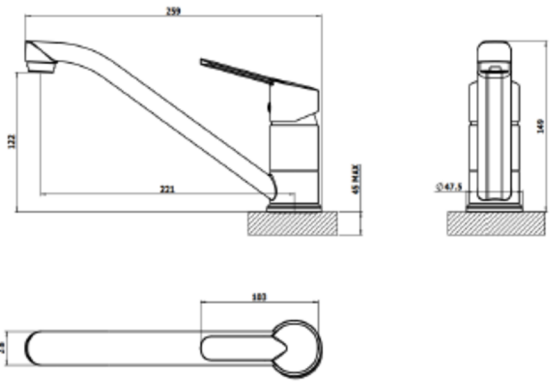







DESCRIPTION: CLEVER ARAYA DECK KITCHEN MIXER CHROME

				Specification			
				Finish	Chrome		
Body		Brass					
Fittings		Metal backnut & washer					
Connection		½" BSP threaded tail					
Min dynamic pressure		0.1					
Max dynamic pressure		6					
Max static pressure		25					
Max water temperature		60°C					
Flow rates							
Pressure	0.1	0.5	1	3			
Aerator							
F/Straight	5.3	20.2	29.5	22.3			
							
Features & Benefits							
							
Certifications							
							
Tested at 0.2 bar		2209304 – Sep 27					
							
2209717 – Jan 28							

All Pressures in Bar. All flow in L/Min. Dimensions supplied are nominal and subject to tolerance. Inclusion or restrictors (sold separately unless stated) will affect flow rate result. Performance details are based on trials under test conditions and for guidance only. The Company reserves the right to change product specification without prior notice.


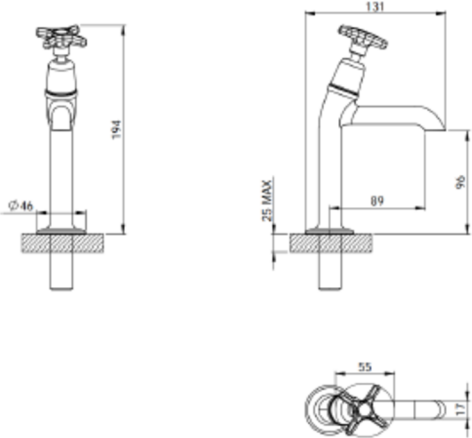




REF: 922020UK

DESCRIPTION: CLEVER ARAYA LONG NECK KITCHEN MIXER CHROME

				Specification					
				Finish	Chrome				
Body		Brass							
Fittings		Metal plate, washer, stud & locking nut							
Connection		M10 - DN8 Flexible hoses with 1/2" BSP connections							
Min dynamic pressure		0.1							
Max dynamic pressure		6							
Max static pressure		16							
Max water temperature		60°C							
Flow rates									
Pressure	0.1	0.5	1	3					
Aerator									
F/Straight	2.0	7.5	11.2	20.4					
						Flow rates			
						Pressure	0.1	0.5	1
Aerator									
F/Straight	2.0	7.5	11.2	20.4					
Features & Benefits									
	 Low Pressure	 Flow Straightener	 Flow Aerator						
 Single Flow									
Certifications									
									
Tested at 0.2 bar		240604018 - June 29							

REF: 303007UK


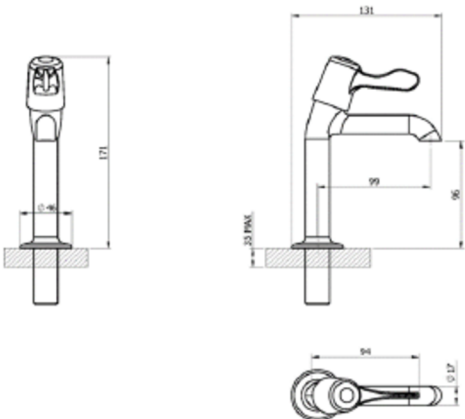
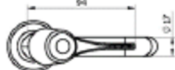
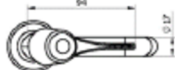
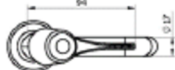




DESCRIPTION: CLEVER PERFORMA 2158 CROSS TOP SINK TAP HOT

				Specification					
				Finish	Chrome				
Body		Brass							
Fittings		Metal backnut & washer							
Connection		1/2" BSP threaded tail							
Min dynamic pressure		0.1							
Max dynamic pressure		6							
Max static pressure		16							
Max water temperature		85°C							
Flow rates									
Pressure	0.1	0.5	1	3					
Aerator									
F/Straight	4.8	15.3	22.3	39.9					
						Flow rates			
						Pressure	0.1	0.5	1
Aerator									
F/Straight	4.8	15.3	22.3	39.9					
Features & Benefits									
	 Low Pressure	 Single Flow							
Certifications									
									
Tested at 0.2 bar									

All Pressures in Bar. All flow in L/Min. Dimensions supplied are nominal and subject to tolerance. Inclusion or restrictors (sold separately unless stated) will affect flow rate result. Performance details are based on trials under test conditions and for guidance only. The Company reserves the right to change product specification without prior notice.


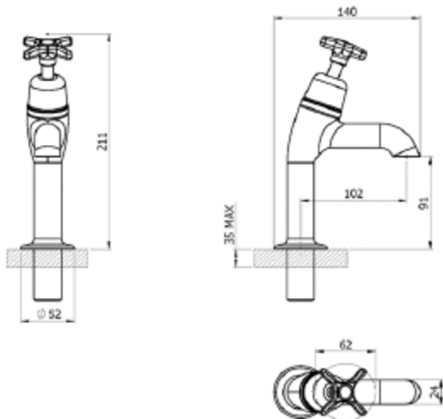







REF: 310027UK

DESCRIPTION: CLEVER PERFORMA 2158QT LEVER QT SINK TAP HOT

		Specification		
		Finish	Chrome	
		Body	Brass	
		Fittings	Metal backnut & washer	
		Connection	1/2" BSP threaded tail	
		Min dynamic pressure	0.1	
		Max dynamic pressure	6	
		Max static pressure	16	
		Max water temperature	85°C	
		Flow rates		
Pressure	0.1	0.5	1	3
Aerator				
F/Straight	3.5	10.0	16.0	28.0
Features & Benefits				
				
Certifications				
				
Tested at 0.2 bar				

REF: 307008UK


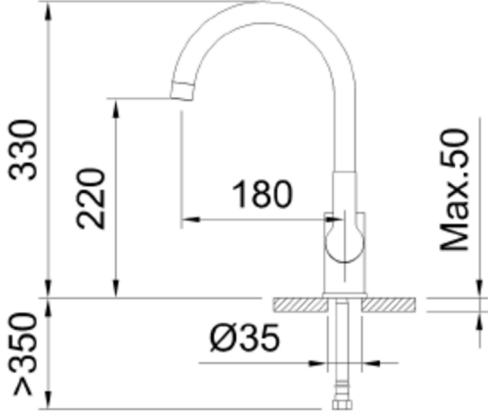





DESCRIPTION: PERFORMA 159 CROSS TOP SINK TAP H&C INDICIES 3/4"

		Specification		
		Finish	Chrome	
		Body	Brass	
		Fittings	Metal backnut & washer	
		Connection	3/4" BSP threaded tail	
		Min dynamic pressure	0.1	
		Max dynamic pressure	6	
		Max static pressure	16	
		Max water temperature	60°C	
		Flow rates		
Pressure	0.1	0.5	1	3
Aerator				
F/Straight	10.3	35.5	52.2	87.0
Features & Benefits				
				
Certifications				
				
Tested at 0.2 bar				

All Pressures in Bar. All flow in L/Min. Dimensions supplied are nominal and subject to tolerance. Inclusion or restrictors (sold separately unless stated) will affect flow rate result. Performance details are based on trials under test conditions and for guidance only. The Company reserves the right to change product specification without prior notice.


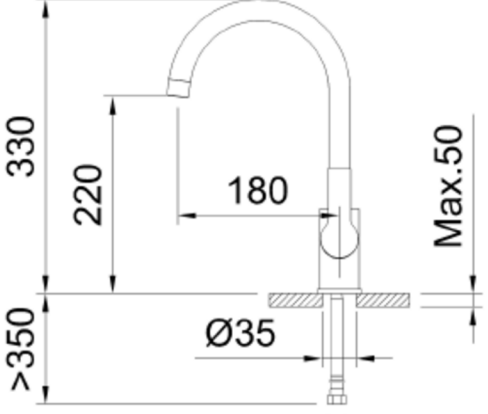





REF: 62135UK

DESCRIPTION: CLEVER GO!2 ONE HANDLE KITCHEN MIXER

				Specification					
				Finish	Chrome				
Body		Brass							
Fittings		Easy fix system							
Connection		M10 - DN8 Flexible hoses with 1/2" BSP thread ends							
Min dynamic pressure			0.1						
Max dynamic pressure			5						
Max static pressure			10						
Max water temperature			75°C						
Flow rates									
Pressure	0.1	0.5	1	3					
Aerator	1.8	4.8	7.0	12.4					
F/Straight									
						Flow rates			
						Pressure	0.1	0.5	1
Aerator	1.8	4.8	7.0	12.4					
F/Straight									
Features & Benefits									
									
									
Certifications									

REF: 62145UK


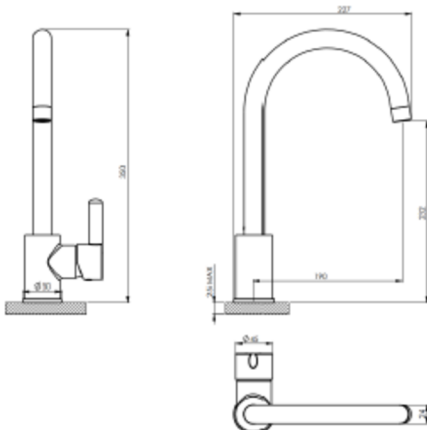








DESCRIPTION: CLEVER GO!2 ONE HANDLE KITCHEN MIXER

				Specification					
				Finish	Black				
Body		Brass							
Fittings		Easy fix system							
Connection		M10 - DN8 Flexible hoses with 1/2" BSP thread ends							
Min dynamic pressure			0.1						
Max dynamic pressure			5						
Max static pressure			10						
Max water temperature			75°C						
Flow rates									
Pressure	0.1	0.5	1	3					
Aerator	1.8	4.8	7.0	12.4					
F/Straight									
						Flow rates			
						Pressure	0.1	0.5	1
Aerator	1.8	4.8	7.0	12.4					
F/Straight									
Features & Benefits									
									
									
Certifications									

All Pressures in Bar. All flow in L/Min. Dimensions supplied are nominal and subject to tolerance. Inclusion or restrictors (sold separately unless stated) will affect flow rate result. Performance details are based on trials under test conditions and for guidance only. The Company reserves the right to change product specification without prior notice.


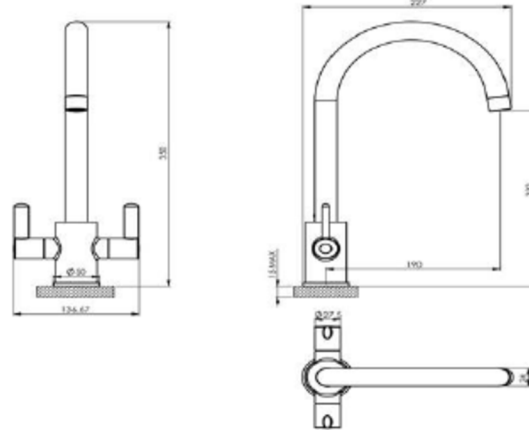








REF: 922318UK

DESCRIPTION: CLEVER PICA ONE HANDLE KITCHEN MIXER CHROME

		Specification				
		Finish	Chrome			
		Body	Brass			
		Fittings	Metal plate, washer, stud & locking nut			
		Connection	M10 - DN8 Flexible hoses - 1/2" BSP thread ends			
		Min dynamic pressure	0.5			
		Max dynamic pressure	6			
		Max static pressure	16			
		Max water temperature	60°C			
		Flow rates				
		Pressure	0.1	0.5	1	3
		Aerator	0.7	4.1	6.0	10.7
		F/Straight	1.3	4.7	6.7	12.3
Features & Benefits		Certifications				
	 Medium Pressure	 Flow Straightener	 Flow Aerator			
 Single Flow				<i>Tested at 0.2 bar</i>	2211361 – Nov 27	
						
				2211738 – Jan 28		

REF: 922319UK


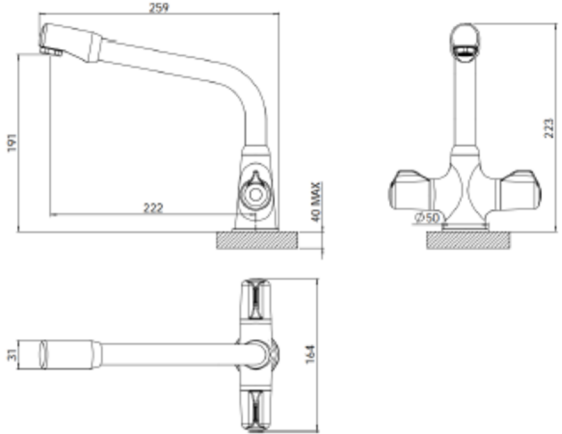
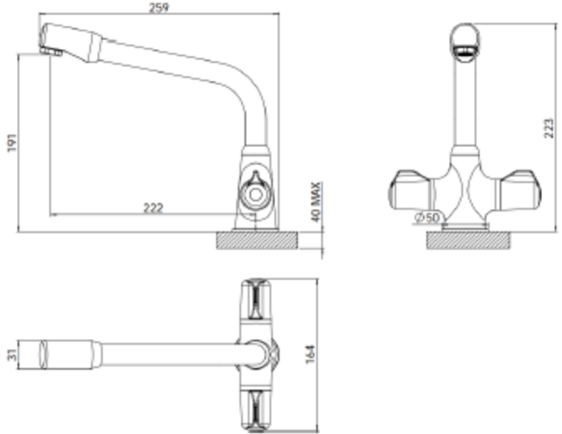
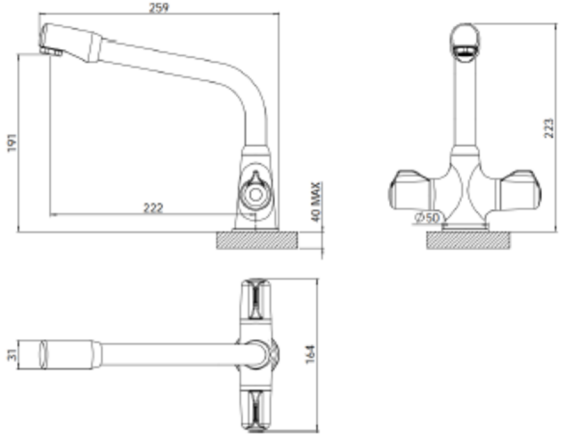
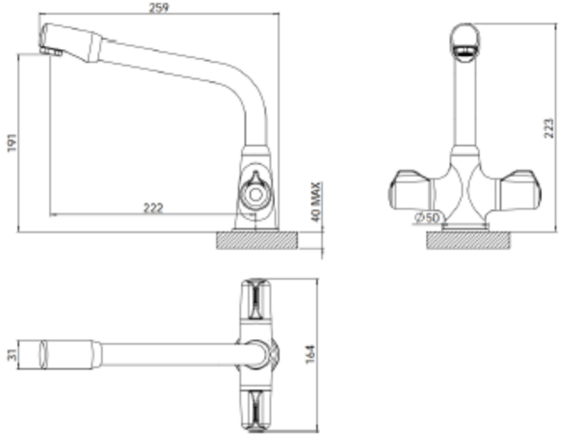
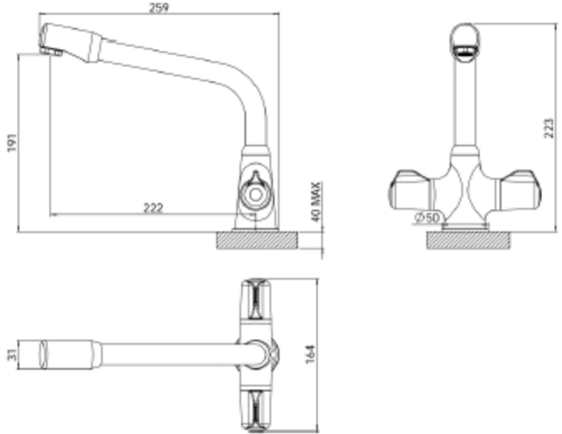
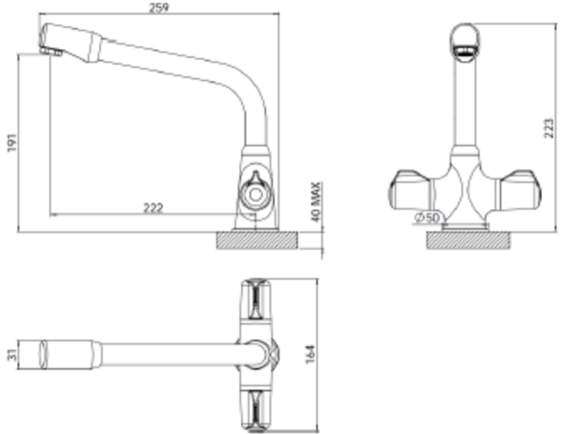







DESCRIPTION: CLEVER PICA TWO HANDLE KITCHEN MIXER CHROME

		Specification				
		Finish	Chrome			
		Body	Brass			
		Fittings	Metal plate, washer, stud & locking nut			
		Connection	M12 - DN8 Flexible hoses - 1/2" BSP thread ends			
		Min dynamic pressure	0.5			
		Max dynamic pressure	6			
		Max static pressure	16			
		Max water temperature	60°C			
		Flow rates				
		Pressure	0.1	0.5	1	3
		Aerator	2.4	8.0	11.6	21.0
		F/Straight	3.5	15.4	22.5	40.0
Features & Benefits		Certifications				
	 Low Pressure	 Flow Straightener	 Flow Aerator			
 Single Flow				<i>Tested at 0.2 bar</i>	2211361 – Nov 27	
						
				2211738 – Jan 28		

All Pressures in Bar. All flow in L/Min. Dimensions supplied are nominal and subject to tolerance. Inclusion or restrictors (sold separately unless stated) will affect flow rate result. Performance details are based on trials under test conditions and for guidance only. The Company reserves the right to change product specification without prior notice.


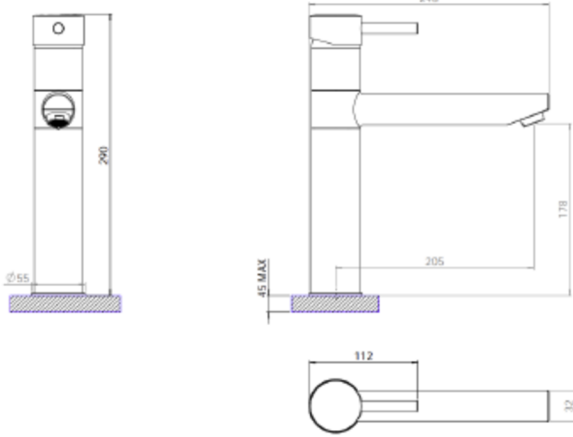
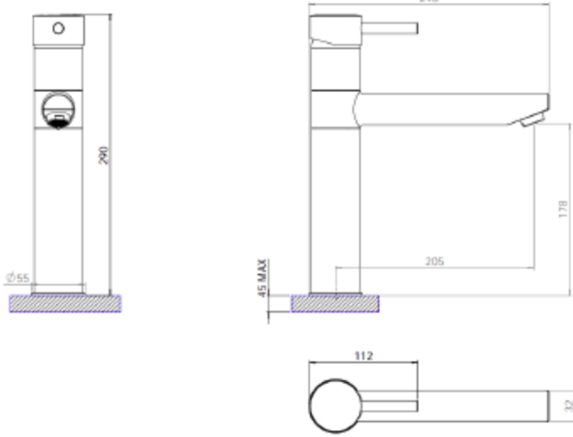
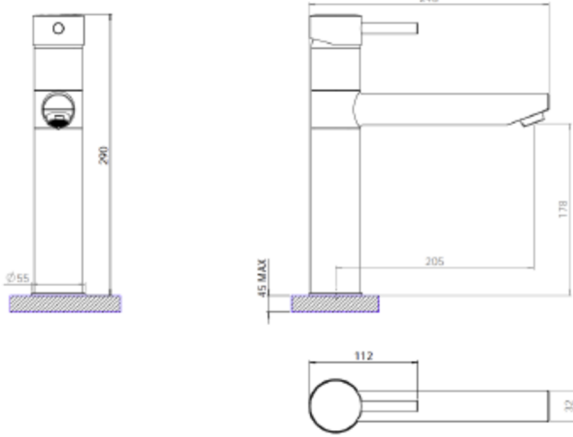
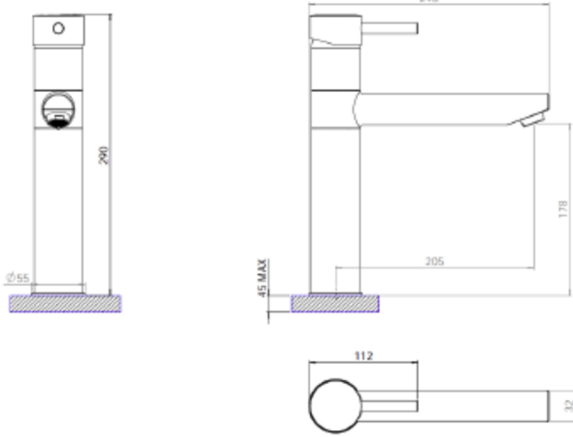
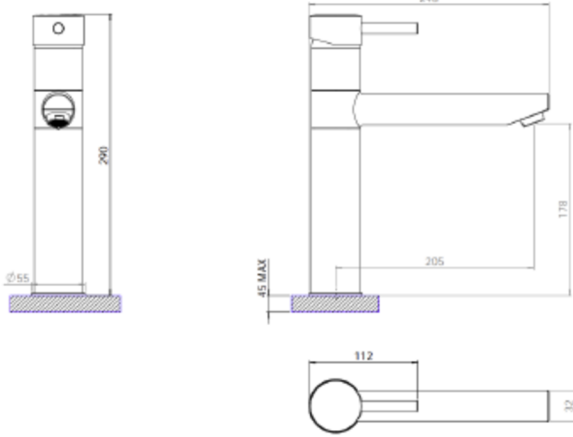
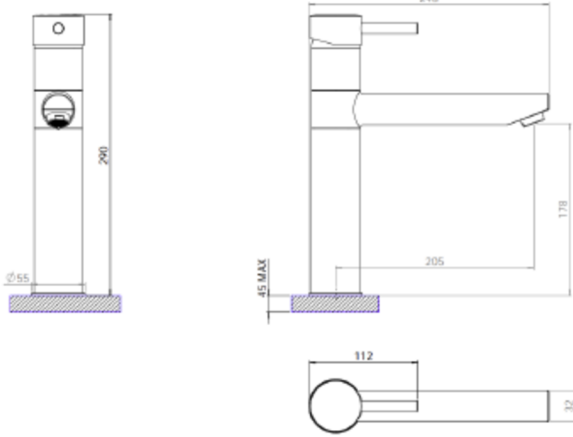






REF: 452101UK

DESCRIPTION: CLEVER ARBON KITCHEN MIXER CHROME

		Specification	
		Finish	Chrome
		Body	Brass
		Fittings	Metal plate, washer, stud & locking nut
		Connection	M12 – DN8 flexible hoses with 1/2" BSP threaded ends
		Min dynamic pressure	0.1
		Max dynamic pressure	6
		Max static pressure	16
		Max water temperature	85°C
		Flow rates	
		Pressure	0.1 0.5 1 3
		Aerator	
		F/Straight	4.0 15.1 22.3 40.6
		Certifications	
			
			
		2402735 – Jan 29	

REF: UK4G4127

DESCRIPTION: EBRO KITCHEN MIXER

		Specification	
		Finish	Chrome
		Body	Brass
		Fittings	Metal plate, washer, stud & locking nut
		Connection	M12 – DN8 flexible hoses with 1/2" BSP threaded ends
		Min dynamic pressure	0.1
		Max dynamic pressure	6
		Max static pressure	16
		Max water temperature	60°C
		Flow rates	
		Pressure	0.1 0.5 1 3
		Aerator	
		F/Straight	2.3 9.6 14.4 26.5
		Certifications	
			
			

All Pressures in Bar. All flow in L/Min. Dimensions supplied are nominal and subject to tolerance. Inclusion or restrictors (sold separately unless stated) will affect flow rate result. Performance details are based on trials under test conditions and for guidance only. The Company reserves the right to change product specification without prior notice.

TERMS & CONDITIONS

1. GENERAL

In these conditions, reference to the Company shall mean STH WESTCO. All previous terms and conditions of sale are hereby cancelled, and only the following shall have effect from 1st January 2012. All quotations are made, and all orders are accepted subject to these conditions. All other terms, conditions or warranties whatsoever are excluded from the contract or any variation thereof unless expressly accepted by the Company in writing. In the event of a conflict between these conditions and the specific terms and conditions of quotation then the latter shall prevail.

2. ELECTRONIC TRADING

a) If the Company and Buyer agree that electronic trading between them shall be a basis for order processing and invoicing then the Standard Interchange Agreement (1st Edition March 1989) of the EDI Association shall be incorporated into the contract by reference subject to these conditions.

b) Electronic orders shall be valid if all the information agreed between the Buyer and the Company as being required is properly set out in the agreed format and the order is transmitted by the Buyer to the Company by reference to the correct identification code and is received by the Company when collecting its electronic mail from the relevant system.

c) Each valid electronic order will be deemed accepted by the Company unless the Company communicates rejection of the order to the Buyer by electronic or other means (including telephone) within 24 hours of receipt. Acceptance of an order shall constitute a contract for sale and purchase to which these conditions and the Standard Interchange Agreement shall prevail.

d) If the Company and the Buyer agree that invoicing may be done by electronic mail, then payment will be due 30 days after the date of electronic invoice unless agreed otherwise.

3. DELIVERY

Any date for delivery named by the Company is an estimate only and in no circumstances shall the failure of the Company to deliver on or before the named date either entitle the Buyer to rescind or terminate the contract or make the Company liable in any way for the consequences of any delay. Our standard delivery is 2-3 days. Orders received over £170 are delivered FREE of charge. Orders received under £170 will receive a delivery charge of £6.50.

We can offer a guaranteed next-day delivery service for a small charge. Please enquire with our Customer Contact Centre on 01942 603351 when placing your order.

4. RETURNS

All returns must be reported within 3 working days of receipt of delivery, by completing the following RETURNS FORM. A 25% restocking fee will be applied to all returns with the exception of goods deemed to be faulty and are within the warranty period. Any orders received that were cancelled prior to delivery and require collection, you must provide proof of cancellation. All orders must be cancelled in writing via email within 3 working days of receipt of delivery. When packing items for collection please ensure they are packed in a safe manner to avoid damages in transport, this comes under the customers responsibility. It is mandatory to fill out a Westco Returns Form if a debit note is not provided, if a return is requested without either the return will be rejected.

5. EXPORT

Unless specifically stated otherwise in these conditions all trade terms not specifically covered by these conditions shall be interpreted in accordance with INCOTERMS current on the date of that order.

6. WARRANTY AND DEFECTIVE GOODS

a) Save as otherwise provided by the other conditions of these Conditions, sections 12 to 15 of the Sale of Goods Act 1979 are to be implied into this contract.

b) The goods delivered under the Contract shall, where the Contract includes a specification, comply with the specification or, if there is no specification, shall be of normal industrial quality.

c) The Buyer does not rely on any statement or representations other than those which have been made in writing by the Company.

d) The Buyer must give the Company immediate written notice of any defect in the goods. Such goods shall be returned to the Company, and if proved to have been defective at delivery as a result of faulty materials or workmanship, the Company shall at its option replace or repair such goods. Defects in quality or dimension in any delivery shall not be ground for cancellation of the remainder of the order.

e) Save for any liability for death or personal injury caused by the Company's negligence, the Company's liability in connection with defective goods shall be limited to the repair or supply of a replacement for the defective goods, and the Company shall not be liable for any other loss or damage including, but not limited to loss of profit, labour costs, damage to property, wasted expenditure or cost of mitigation.

7. DATA AND TECHNICAL INFORMATION

Illustrations, reference numbers, statement of weights or measures are not binding on the Company. The goods will be supplied substantially to the design described in the quotation. However, the Company reserves the right to make reasonable changes at his discretion during the execution of the Buyer's order. Every effort is made by the Company to ensure the accuracy of any technical data or literature made available in relation to the goods. However, the Company accepts no liability for any damage or injury arising from any errors or omissions in such technical data.

8. PATENT RIGHTS

a) The sale of any goods and the publication of any information or technical data relating thereto does not imply freedom from the patent or other protective rights in respect of their application and the Company accepts no liability for infringement of such rights

b) The Buyer shall indemnify the Company against all royalties or other payments in respect of any patent, registered designs or other rights which may be claimed as a result of goods being made according to design or specification supplied by the Buyer. The Buyer shall further indemnify the Company against all claims, expense and costs in connection with any infringement of any patent or registered design or other right in the manufacture of such goods.

9. CLAIMS FOR DAMAGE, SHORTAGE OR LOSS

No claim for damage in transit or shortage of delivery can be accepted unless a separate notice in writing is given to the carrier concerned and to the Company within 14 days of receipt of the goods, followed by a complete claim in writing within 14 days of receipt of the goods. No claim for loss of goods in transit can be accepted unless a separate notice in writing is given to the carrier concerned and to the Company, and a complete claim in writing made within 14 days of the date of consignment. Where goods are accepted from the carrier concerned without being checked, the delivery book of the carrier must be signed "not examined." If a complaint is not made to the Company as herein provided, the products shall be deemed to be in all respects in accordance with the Contract, and the Buyer shall be bound to pay for the same accordingly.

10. SUSPENSION OF DELIVERIES

a) Deliveries may be wholly or partially suspended by the company in the event of:-

i. Stoppage, delay or interruption caused to the business of the Company as a result of strikes, lockouts, trade disputes, breakdown, accident or any cause whatsoever beyond the reasonable control of the Company.

ii. Any default by the Buyer in making payment of any amounts owed to the Company under this and any other contracts between them.

b) In the event of any hostilities (whether war is declared or not) in which Great Britain is involved, or in the event of national emergency, or if the Company's works should become either directly or indirectly engaged on Government orders as to prevent or delay work on other orders, the Company shall be entitled at any time, on notice to the Buyer, to make partial deliveries only or to determine the contract without prejudice in any case to rights accrued in respect of deliveries already made.

11. DETERMINATION OF CONTRACT

The Company shall have the right forthwith to determine this and/or any other Contract between the Buyer and the Company by written notice to the Buyer's last known address (without prejudice to any claim or right the Company might otherwise make or exercise) in any of the following events:-

a) If the Buyer shall make default in or commit a breach of any contract with the Company; or

b) If any distress or execution shall be levied upon the Buyer's property or assets; or

c) If the Buyer shall make or offer to make any arrangements or composition with creditors, or commit any act of bankruptcy or become insolvent; or

d) If any petition or receiving order in bankruptcy shall be presented or made against him; or

e) If the buyer shall be a limited Company and become subject of any resolution or petition for winding up or administration; or

e) If a receiver or manager of the Buyer's undertaking, property or assets or any part thereof shall be appointed.

12. INDEMNITY

The Buyer will indemnify the Company against all damages, penalties, costs and expenses to which the Company may become liable as a result of work done to the Buyer's instructions or which infringe any letters, patent or registered design or copyright or any other third-party intellectual property rights.

13. PRICES

The price payable for the goods shall be those previously agreed with the Company unless otherwise stated and current at the date of despatch. Such prices may be subject to a delivery charge which shall be levied to the Buyer.

14. RISK AND TITLE

a) Risk shall pass to the Buyer so that the Buyer is responsible for all loss, damage or deterioration to the goods:

i. If the Company delivers the goods by its own transport at the time when the goods or a relevant part thereof arrive at the place of delivery; or

ii. In all other circumstances at the time when the goods, or a relevant part thereof leave the premises of the Company whether or not the Company arranges transport and (without prejudice to clause 7) where the goods are delivered by carrier, any claims for loss or damage in transit must be made by the Buyer against the carrier in accordance with the carrier's conditions.

b) Title to the goods supplied under the contract shall only pass to the Buyer when payment in full for all goods supplied under this and all other contracts between the Company and the Buyer has been received by the Company. The Company reserves the immediate right to possession of and at any time may recover all goods in respect of which title has not passed to the Buyer; the Company is hereby authorised by the Buyer to enter upon any premises where such goods are held by or on behalf of the Buyer and recover possession thereof.

c) Until title to goods has been passed to the Buyer pursuant to these conditions it shall possess the goods as a Bailee at will of the Company, and the Buyer shall not be entitled to sell or otherwise deal in goods in respect of which title has not passed to the Buyer. If the Buyer acts in breach of these conditions then without prejudice to any other rights of the Company the Buyer shall have a fiduciary duty to account to the Company for the proceeds of any sale save to the extent that any such proceeds exceed the amounts owed to the Company under this and all other contracts between the Company and the Buyer.

15. CANCELLATION

Cancellation will only be accepted by the Company on condition that all costs and expenses incurred by the Company up to the time of cancellation and all loss of profits and other loss or damage suffered by the Company as a result of such cancellation will be paid forthwith by the Buyer to the Company.

16. PAYMENT OF ACCOUNTS

a) Unless otherwise agreed by the Company in writing, payment shall be settled in full by the last working day of the month following the month in which the goods were despatched, or would have been despatched save for postponement otherwise than due to default on the part of the Company. The Company shall be entitled to submit its invoice on the same day as its delivery advice note or at any time thereafter, save that where delivery has been postponed at the request of or the default of the Buyer, then the Company may submit its invoice at any time after the goods are ready for delivery or would have been ready in the ordinary course but for the request or default as aforesaid.

b) The Company reserves the right to charge interest at a rate up to 5% above Lloyds Bank Base Lending Rate ruling at the time payment is due if payment is not made in accordance with the terms agreed at the time the order is accepted.

17. VAT

The prices quoted are exclusive of VAT, which will, if applicable, be added to the invoice at the rate then current.

18. CONSUMER PROTECTION ACT

In circumstances where the Company supplies parts or goods to the Buyer for incorporation with, or use ancillary to, any composite goods to be produced, manufactured, processed or supplied by the Buyer then:

a) The Buyer shall forthwith on demand produce for inspection by the Company copies of all written instructions, information and warnings in relation to the said composite goods, provided nevertheless that such inspection or right to inspect shall not of itself constitute acceptance or approval on the part of the Company of such instructions, information, or warnings; and

b) The Buyer shall indemnify, reimburse and compensate the Company for all losses and damages (including costs, expenses and charges for legal actions in which the Company may be involved) that the Company may incur in the event that any claim or claims are made against the Company pursuant to the Act relating to the said composite goods of the Buyer or parts or goods supplied hereunder in circumstances in which the parts or goods supplied by the Company was either:

i. Not the defective part of the said composite goods; or

ii. Was only rendered the defective part or became defective goods by reason of actions or omission of the Buyer; or

iii. Was only rendered the defective part or became defective goods by reason of instructions or warnings given or omitted by the Buyer or other supplier of the said composite goods supplied hereunder.

c) For the purposes of this condition the word "defective" shall be interpreted in accordance with the definition contained in the Act and this condition shall mutatis mutandis apply in relation to equivalent legislation of other states as it applies in relation to the Act.

19. LAW AND JURISDICTION

This contract shall be governed and construed according to the Law of England and the parties hereby agree to submit to the exclusive jurisdiction of the English courts.

WARRANTY

Clever taps are crafted from premium materials and components, meeting the highest quality standards to ensure exceptional comfort and lasting durability.

The guarantee is valid only with proof of purchase and does not affect any statutory rights under applicable law. It covers manufacturing and material defects but excludes parts subject to normal wear and tear.

Non-chrome finishes are also guaranteed for 3 years, provided the cleaning instructions are followed.

The guarantee is void if the product is installed contrary to the fitting instructions. It does not cover damage resulting from abuse, misuse, or accidental incidents.

Liability under this guarantee is limited to the replacement cost of the defective product and excludes installation costs or any consequential damages.

For full Warranty terms please visit www.westco.co.uk.

CONTACT US

For contract support enquiries, please don't hesitate to reach out to our dedicated team. You can contact us via email at contactsupport@westco.co.uk.

We are committed to providing prompt and professional assistance to ensure your satisfaction with our services.



Accessible Communication Channels:

Reach out to our dynamic sales team through multiple channels including phone or email, for swift assistance.



Expert Guidance:

Our seasoned sales professionals are equipped with extensive product knowledge and industry expertise to address all your inquiries effectively.



Efficient Response Times:

We prioritise your queries and guarantee prompt responses, ensuring minimal waiting times and seamless communication.



Dedicated Support:

Enjoy dedicated support throughout your journey, from initial contact to post-sales assistance, ensuring a smooth and rewarding experience.



Customer-Centric Focus:

We prioritise your satisfaction and strive to exceed your expectations at every interaction, fostering long-term partnerships built on trust and reliability.

NATIONWIDE COVERAGE



SCAN THE QR CODE
TO CONTACT US



clever

TAPS · SHOWERS · ACCESSORIES

www.clevertaps.co.uk

STH Standard Hydraulics Group

STH Westco

Unit C6, William Way
Moss Industrial Estate
St Helens Road, Leigh,
Lancashire - WN7 3PT (UK)
Tel. +44 (0)1942 603351
Fax. +44 (0)1942 607780

www.westco.co.uk

Standard Hidráulica, S.A.U

Avda. Ferrería 73-75
Pol.Ind. La Ferrería
08110 Montcada i Reixac
Barcelona (Spain)
Tel. +34 93 564 10 94

www.standardhidraulica.com

Standard Hidráulica, S.A.U

C. Galileo Galilei, 5
28906 Getafe
Madrid (Spain)
Tel. +34 91 692 05 53
Tel. +34 91 643 18 86

www.standardhidraulica.com

STH Southern Africa Plumbing & Heating Equip. (Pty) LTD

2, Northriding Commercial Park,
Aintree Ave., Northriding
South Africa
Tel. +27 11 462 4504

www.sthza.co.za

STH Hellas Plumbing & Heating Equipment, S.A.

Alexandras str. Magoula
Aspropyrgos 19300
Greece
Tel. +30 210 2842684
Fax. +30 210 2840700

www.standardhidraulica.gr